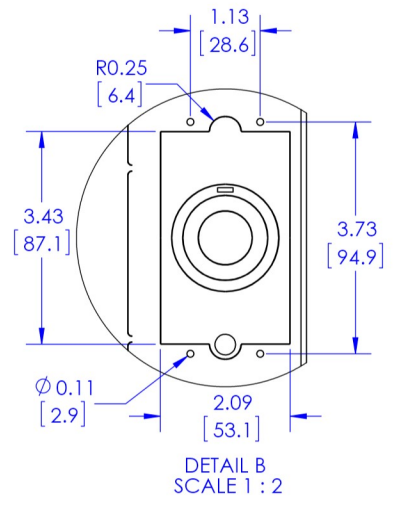
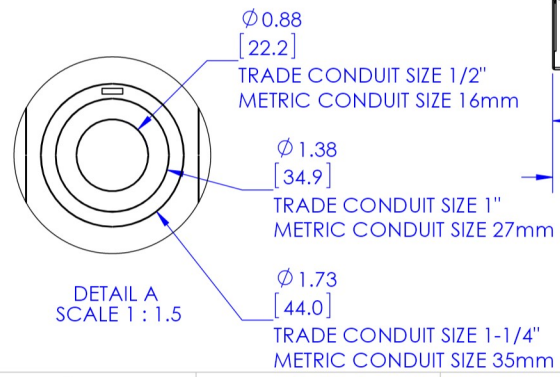
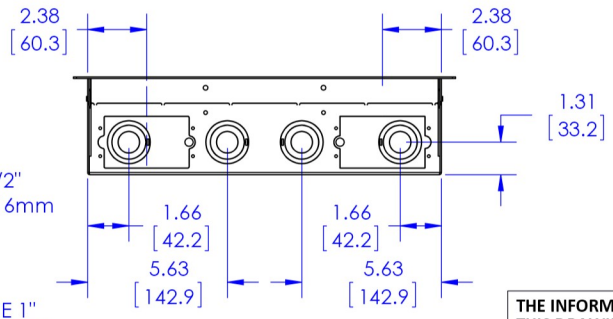
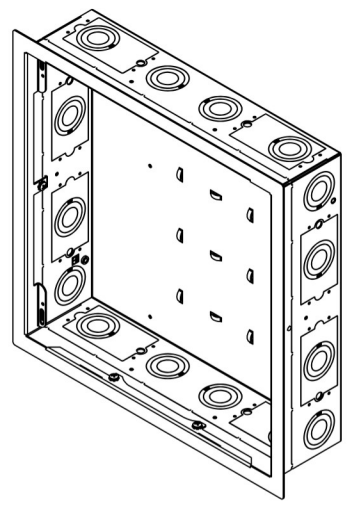
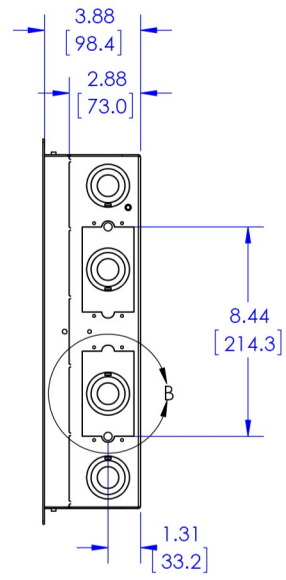
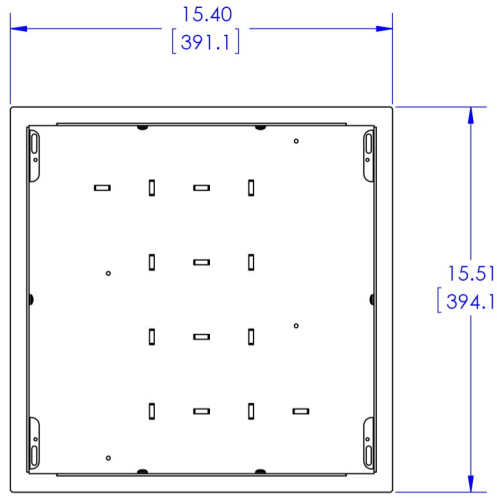
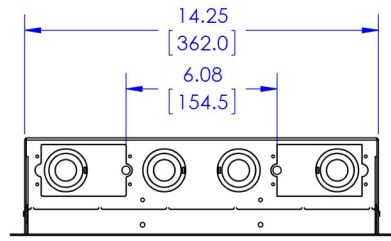
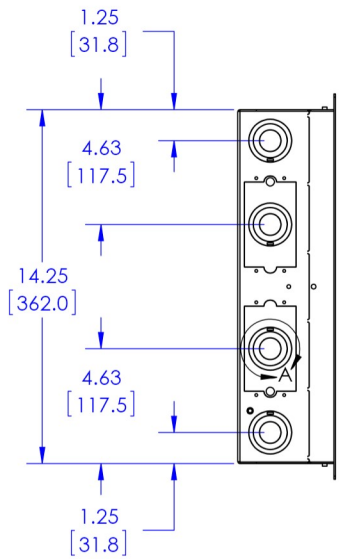


**RECOMMENDED ELECTRICAL BOX:
RACO 560 3" X 2" BOX, 2 3/4" DEEP
GANGABLE OR EQUIVALENT.**

**RECOMMENDED ELECTRICAL BOX
COVER: RACO 864 SINGLE DUPLEX**



THE INFORMATION AND DESIGNS CONTAINED IN THIS DRAWING ARE CONFIDENTIAL AND THE PROPRIETARY PROPERTY OF MILESTONE AV TECHNOLOGIES NEITHER THIS DESIGN NOR ANY INFORMATION CONTAINED IN THIS DRAWING MAY BE REPRODUCED OR DISCLOSED TO OTHERS WITHOUT THE EXPRESS WRITTEN CONSENT OF MILESTONE AV TECHNOLOGIES.

CAD GENERATED DRAWING, DO NOT MANUALLY UPDATE.		CHIEF 6436 CITY WEST PKWY, EDEN PRAIRIE, MN, 55344 PHONE: 956-977-3901 FAX: 977-894-6918	DESCRIPTION: PAC526F, WALL ENCLOSURE, W/FLNG, 16 X 16
DRAWN BY	HEF 12/23/2013		
ENG APPROVAL		MODEL NO.:	PAC526F
MFG APPROVAL		SHEET 1 OF 1	SCALE 1:5
QA APPROVAL		SIZE B	DWG. NO. TECH-000541
			REV. 00