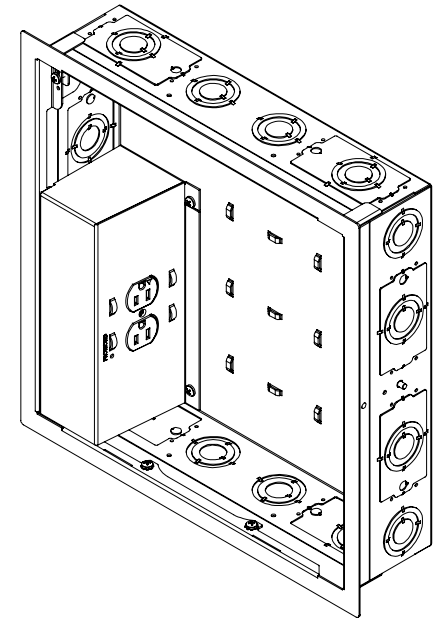
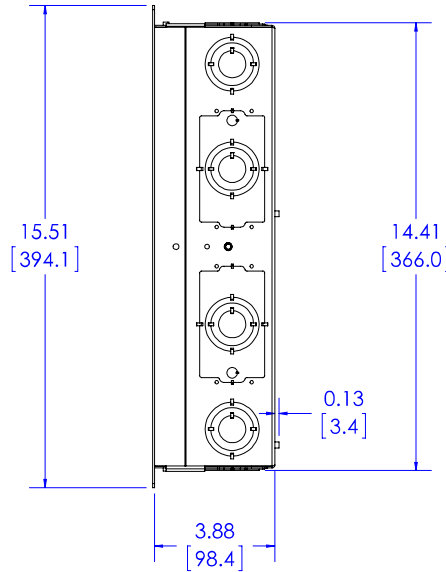
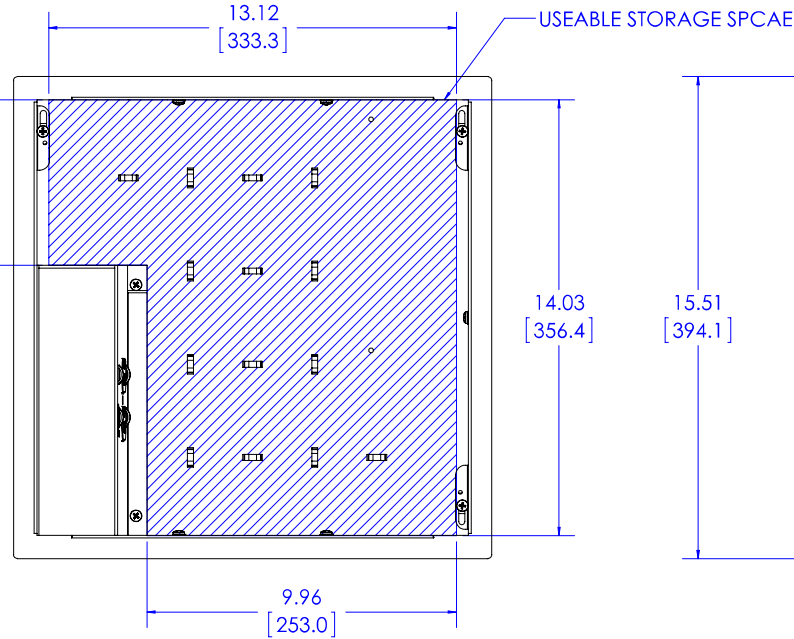
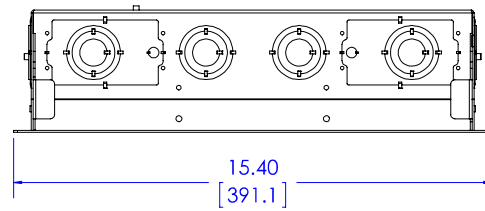


THE INFORMATION AND DESIGNS CONTAINED IN THIS DRAWING ARE CONFIDENTIAL AND THE PROPRIETARY PROPERTY OF MILESTONE AV TECHNOLOGIES NEITHER THIS DESIGN NOR ANY INFORMATION CONTAINED IN THIS DRAWING MAY BE REPRODUCED OR DISCLOSED TO OTHERS WITHOUT THE EXPRESS WRITTEN CONSENT OF MILESTONE AV TECHNOLOGIES.

CAD GENERATED DRAWING. DO NOT MANUALLY UPDATE.				6436 CITY WEST PKWY EDEN PRAIRIE, MN, 55344 PHONE: 866-977-3901 FAX: 877-894-6918	
DRAWN BY	MM	8/17/2015		DESCRIPTION: PAC526 LARGE IN-WALL BOX W/ POWER	
ENG APPROVAL			MODEL NO.		
MFG APPROVAL			PAC526FxPx		
QA APPROVAL			SHEET	DWG. NO.	REV.
SHEET 1 OF 3			SCALE	B	01
			1:5	TECH-000726	

SEE PAC526 FOR ADDITIONAL BOX DIMENSIONS

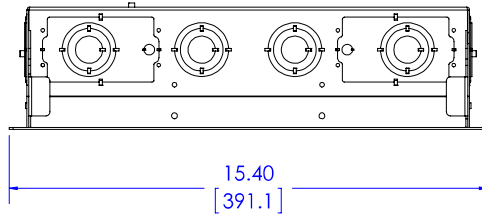


AC LINE POWER CONDITIONER 125 V~, 60 Hz, 15 A
4x14 AWG STRANDED WIRE W/ ISOLATED GROUND
SURGE PROTECTION
EMI/RFI FILTERING
POWER CONSUMPTION: <0.5 WATT

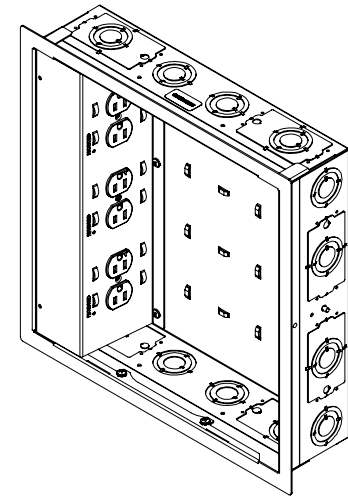
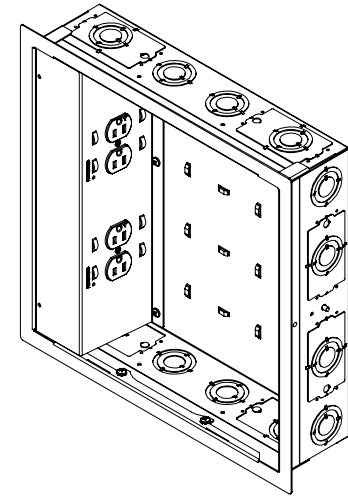
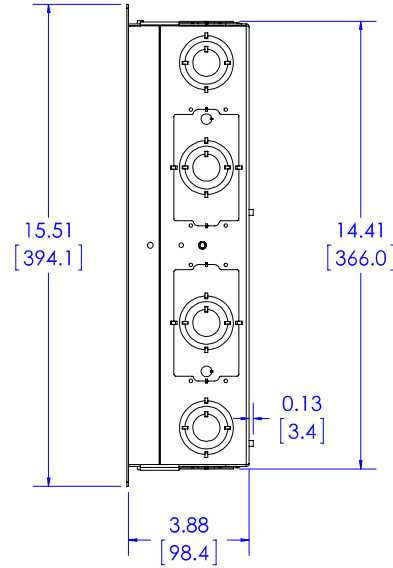
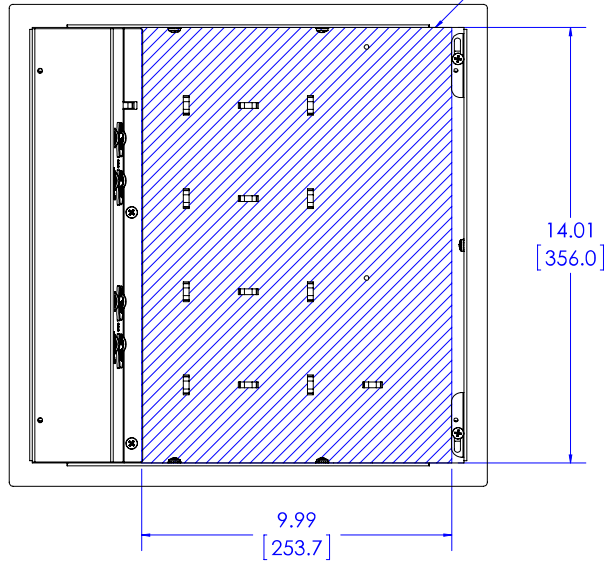
THE INFORMATION AND DESIGNS CONTAINED IN THIS DRAWING ARE CONFIDENTIAL AND THE PROPRIETARY PROPERTY OF MILESTONE AV TECHNOLOGIES NEITHER THIS DESIGN NOR ANY INFORMATION CONTAINED IN THIS DRAWING MAY BE REPRODUCED OR DISCLOSED TO OTHERS WITHOUT THE EXPRESS WRITTEN CONSENT OF MILESTONE AV TECHNOLOGIES.

CAD GENERATED DRAWING. DO NOT MANUALLY UPDATE.			CHIEF	6436 CITY WEST PKWY EDEN PRAIRIE, MN, 55344 PHONE: 866-977-3901 FAX: 877-894-6918		
DRAWN BY	MM	8/17/2015		DESCRIPTION	PAC526 LARGE IN-WALL BOX W/ POWER	
ENG APPROVAL			MODEL NO.	PAC526fxPx		
MFG APPROVAL			SHEET	DWG. NO.	REV.	
QA APPROVAL			SHEET 2 OF 3	B	TECH-000726	01
			SCALE			
			1:4			

SEE PAC526 FOR ADDITIONAL BOX DIMENSIONS



USEABLE STORAGE SPACE



- AC LINE POWER CONDITIONER 125 V~, 60 Hz, 15 A**
- 4x14 AWG STRANDED WIRE W/ ISOLATED GROUND**
- SURGE PROTECTION**
- EMI/RFI FILTERING**
- POWER CONSUMPTION: <0.5 WATT**

THE INFORMATION AND DESIGNS CONTAINED IN THIS DRAWING ARE CONFIDENTIAL AND THE PROPRIETARY PROPERTY OF MILESTONE AV TECHNOLOGIES NEITHER THIS DESIGN NOR ANY INFORMATION CONTAINED IN THIS DRAWING MAY BE REPRODUCED OR DISCLOSED TO OTHERS WITHOUT THE EXPRESS WRITTEN CONSENT OF MILESTONE AV TECHNOLOGIES.

CAD GENERATED DRAWING. DO NOT MANUALLY UPDATE.				6436 CITY WEST PKWY EDEN PRAIRIE, MN, 55344 PHONE: 866-977-3901 FAX: 877-894-6918	
DRAWN BY	MM	8/17/2015		DESCRIPTION: PAC526 LARGE IN-WALL BOX W/ POWER	
ENG APPROVAL			MODEL NO. PAC526fxPx		
MFG APPROVAL			SHEET 3 OF 3		REV. 01
QA APPROVAL			SCALE 1:4	SFE DWG. NO. B TECH-000726	