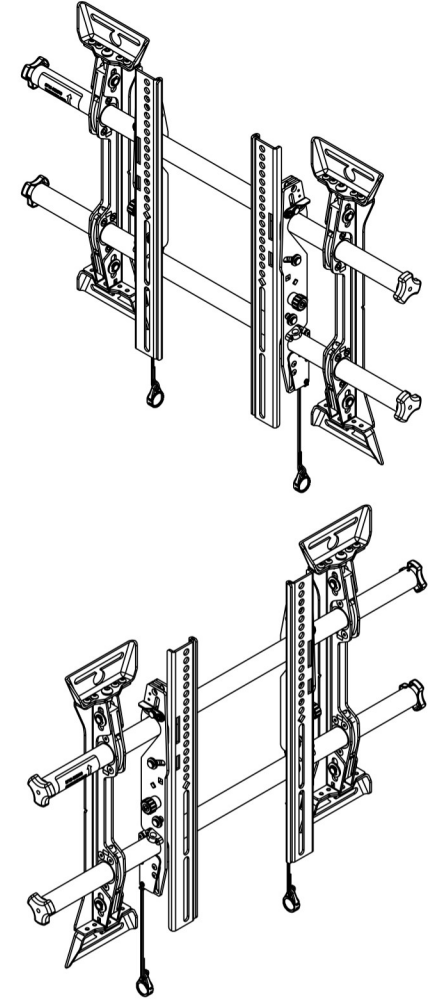
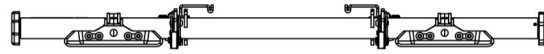
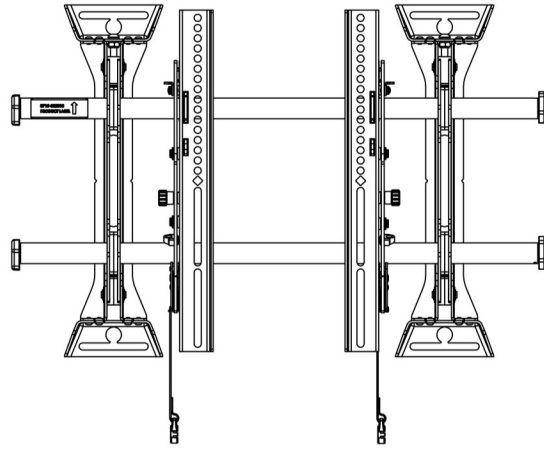
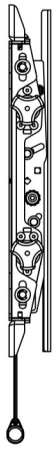
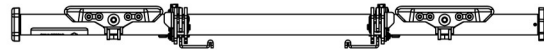


RAILS CAN BE SLID LEFT OR RIGHT FOR OFFSET

1. MAXIMUM MOUNTING PATTERN IS 22.25" [565mm] WITHOUT REVERSING UPRIGHTS (AS SHOWN)
2. MAXIMUM MOUNTING PATTERN IS 25.6" [650mm] WITH REVERSING UPRIGHTS
3. FOR RECESSED APPLICATIONS, MINIMUM VERTICAL LIFT FOR HOOK ENGAGEMENT IS .75" [19mm]

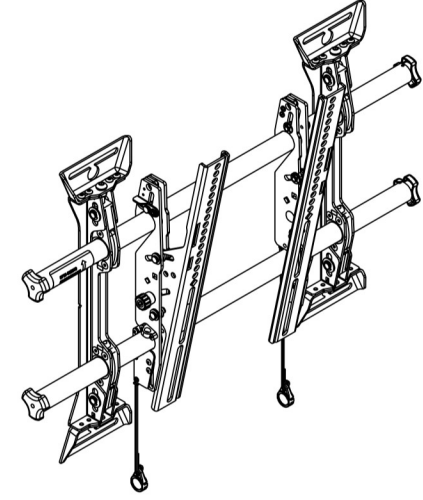
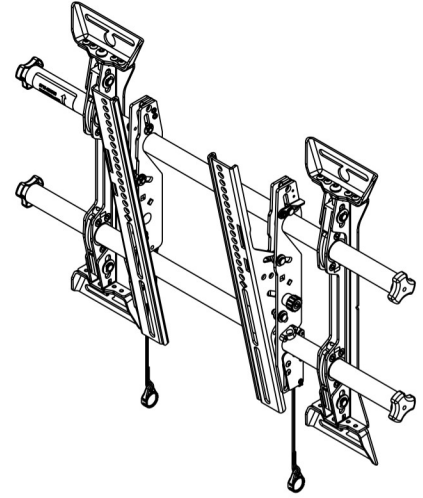
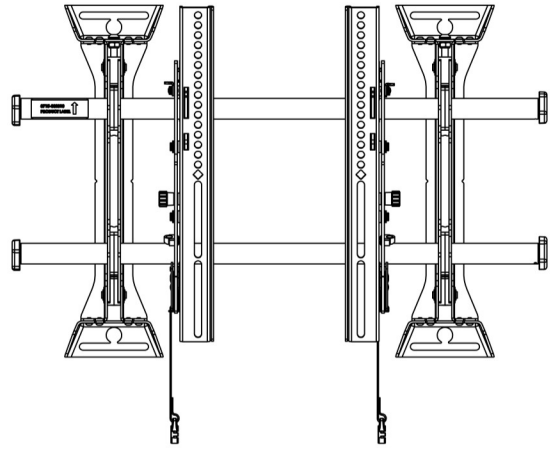
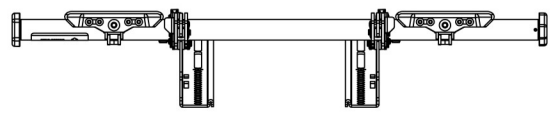
THE INFORMATION AND DESIGNS CONTAINED IN THIS DRAWING ARE CONFIDENTIAL AND THE PROPRIETARY PROPERTY OF LEGRAND | AV. NEITHER THIS DESIGN NOR ANY INFORMATION CONTAINED IN THIS DRAWING MAY BE REPRODUCED OR DISCLOSED TO OTHERS WITHOUT THE EXPRESS WRITTEN CONSENT OF LEGRAND | AV.

CAD GENERATED DRAWING. DO NOT MANUALLY UPDATE.		 6436 CITY WEST PKWY EDEN PRAIRIE, MN 55344 PHONE: 866-977-3901 FAX: 877-594-6918
DRAWN BY	JAB 4/11/2014	
ENG APPROVAL		DESCRIPTION
MFG APPROVAL		MTM1U CUSTOMER TECHNICAL DRAWING
QA APPROVAL		MODEL NO.
		MTM1U
SHEET 1 OF 3		SCALE
		1:4
		SIZE
		B
		DWG. NO.
		TECH-000605
		REV.
		02




THE INFORMATION AND DESIGNS CONTAINED IN THIS DRAWING ARE CONFIDENTIAL AND THE PROPRIETARY PROPERTY OF LEGRAND | AV. NEITHER THIS DESIGN NOR ANY INFORMATION CONTAINED IN THIS DRAWING MAY BE REPRODUCED OR DISCLOSED TO OTHERS WITHOUT THE EXPRESS WRITTEN CONSENT OF LEGRAND | AV.

CAD GENERATED DRAWING. DO NOT MANUALLY UPDATE.		 6436 CITY WEST PKWY EDEN PRAIRIE, MN 55344 PHONE: 866-977-3901 FAX: 877-894-6918	DESCRIPTION MTM1U CUSTOMER TECHNICAL DRAWING
DRAWN BY	JAB 4/11/2014		
ENG APPROVAL		MODEL NO.	MTM1U
MFG APPROVAL		SCALE	1:6
QA APPROVAL		SIZE	B
SHEET 2 OF 3		DWG. NO.	TECH-000605
			REV. 02



THE INFORMATION AND DESIGNS CONTAINED IN THIS DRAWING ARE CONFIDENTIAL AND THE PROPRIETARY PROPERTY OF LEGRAND | AV. NEITHER THIS DESIGN NOR ANY INFORMATION CONTAINED IN THIS DRAWING MAY BE REPRODUCED OR DISCLOSED TO OTHERS WITHOUT THE EXPRESS WRITTEN CONSENT OF LEGRAND | AV.

CAD GENERATED DRAWING. DO NOT MANUALLY UPDATE.		 6436 CITY WEST PKWY EDEN PRAIRIE, MN 55344 PHONE: 866-977-3901 FAX: 877-594-6918	DESCRIPTION MTM1U CUSTOMER TECHNICAL DRAWING
DRAWN BY	JAB 4/11/2014		
ENG APPROVAL		MODEL NO.	MTM1U
MFG APPROVAL		SCALE	1:6
QA APPROVAL		SIZE	B
SHEET 3 OF 3		DWG. NO.	TECH-000605
			REV. 02