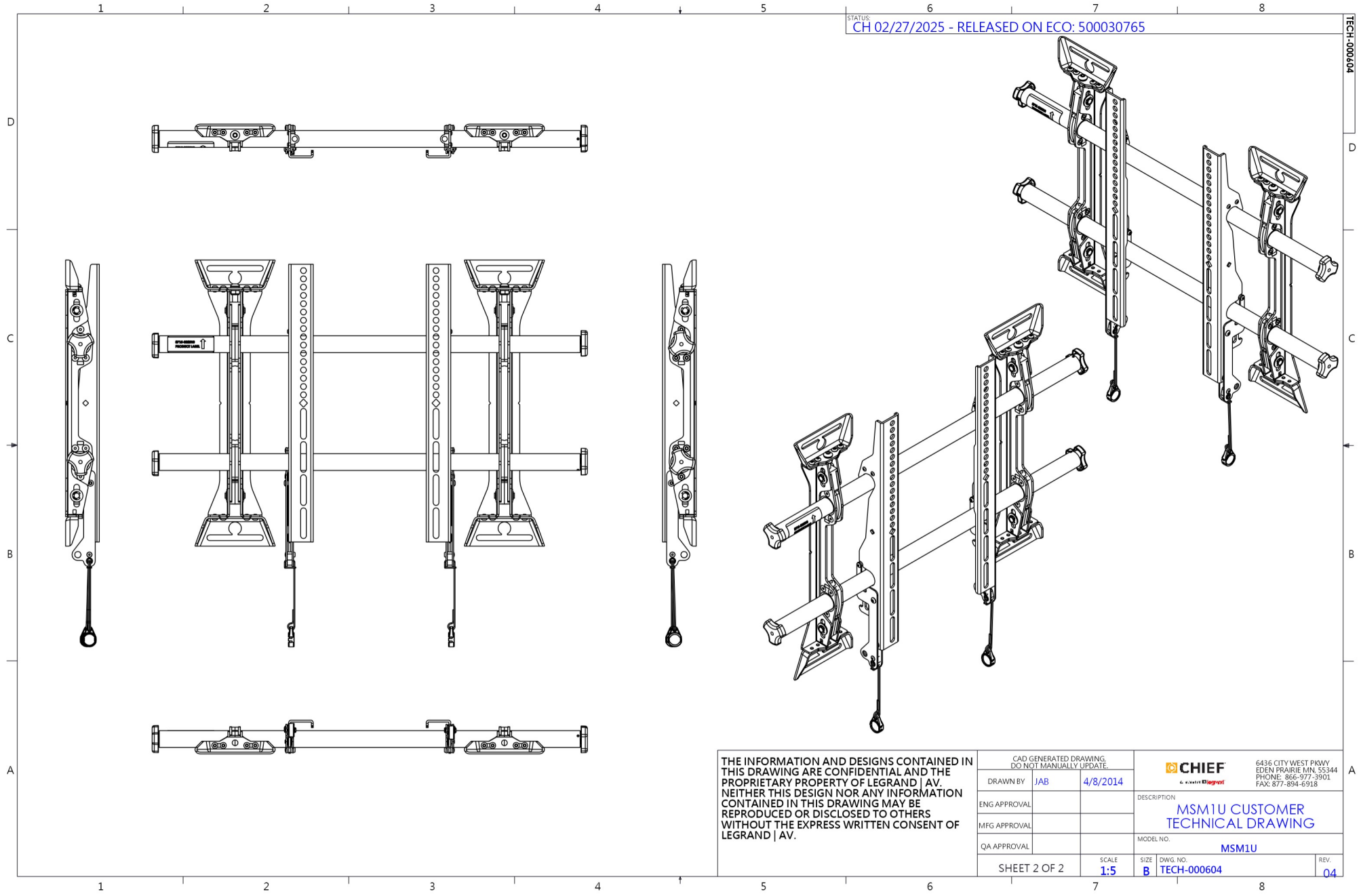


RAILS CAN BE SLID LEFT OR RIGHT FOR OFFSET


1. MAXIMUM MOUNTING PATTERN IS 22.7" [576mm] WITHOUT REVERSING UPRIGHTS (AS SHOWN)
2. MAXIMUM MOUNTING PATTERN IS 25.3" [642mm] WITH REVERSING UPRIGHTS
3. FOR RECESSED APPLICATIONS, MINIMUM VERTICAL LIFT FOR HOOK ENGAGEMENT IS .75" [19mm]

THE INFORMATION AND DESIGNS CONTAINED IN THIS DRAWING ARE CONFIDENTIAL AND THE PROPRIETARY PROPERTY OF LEGRAND | AV. NEITHER THIS DESIGN NOR ANY INFORMATION CONTAINED IN THIS DRAWING MAY BE REPRODUCED OR DISCLOSED TO OTHERS WITHOUT THE EXPRESS WRITTEN CONSENT OF LEGRAND | AV.

CAD GENERATED DRAWING. DO NOT MANUALLY UPDATE.		 6436 CITY WEST PKWY EDEN PRAIRIE, MN, 55344 PHONE: 866-977-3901 FAX: 877-594-6918
DRAWN BY	JAB 4/8/2014	
ENG APPROVAL		DESCRIPTION
MFG APPROVAL		MSM1U CUSTOMER TECHNICAL DRAWING
QA APPROVAL		MODEL NO.
		MSM1U
SHEET 1 OF 2		SCALE
		1:4
		SIZE
		B
		DWG. NO.
		TECH-000604
		REV.
		04



THE INFORMATION AND DESIGNS CONTAINED IN THIS DRAWING ARE CONFIDENTIAL AND THE PROPRIETARY PROPERTY OF LEGRAND | AV. NEITHER THIS DESIGN NOR ANY INFORMATION CONTAINED IN THIS DRAWING MAY BE REPRODUCED OR DISCLOSED TO OTHERS WITHOUT THE EXPRESS WRITTEN CONSENT OF LEGRAND | AV.

CAD GENERATED DRAWING. DO NOT MANUALLY UPDATE.			 6436 CITY WEST PKWY EDEN PRAIRIE, MN, 55344 PHONE: 866-977-3901 FAX: 877-594-6918	
DRAWN BY	JAB	4/8/2014		
ENG APPROVAL			DESCRIPTION	
MFG APPROVAL			MSM1U CUSTOMER TECHNICAL DRAWING	
QA APPROVAL			MODEL NO.	
			MSM1U	
SHEET 2 OF 2		SCALE	SIZE DWG. NO.	REV.
		1:5	B TECH-000604	04