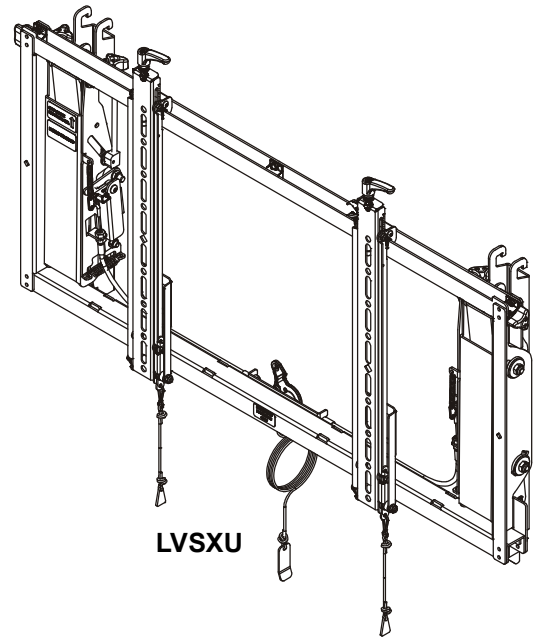
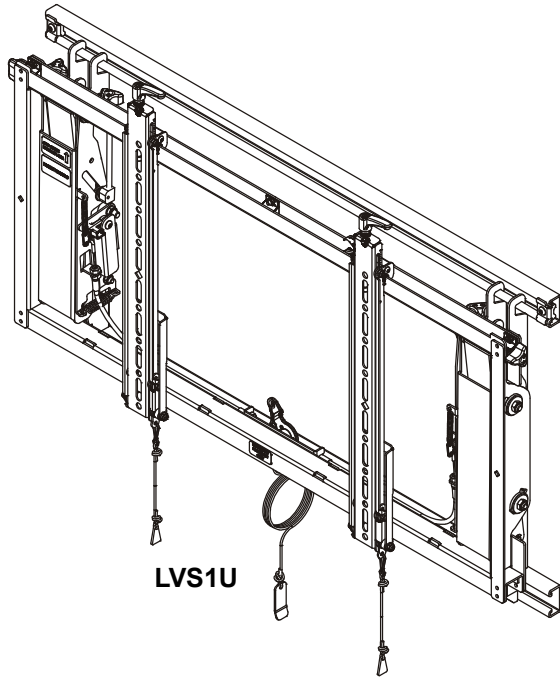

INSTALLATION INSTRUCTIONS



ConnexSys™ Video Wall Mounting System

DISCLAIMER

Milestone AV Technologies and its affiliated corporations and subsidiaries (collectively "Milestone"), intend to make this manual accurate and complete. However, Milestone makes no claim that the information contained herein covers all details, conditions or variations, nor does it provide for every possible contingency in connection with the installation or use of this product. The information contained in this document is subject to change without notice or obligation of any kind. Milestone makes no representation of warranty, expressed or implied, regarding the information contained herein. Milestone assumes no responsibility for accuracy, completeness or sufficiency of the information contained in this document.

Chief®, ConnexSys™, RapidDraw™, and PowerZone™ are trademarks of Milestone AV Technologies. All rights reserved.



IMPORTANT SAFETY INSTRUCTIONS



WARNING: A WARNING alerts you to the possibility of serious injury or death if you do not follow the instructions.



CAUTION: A CAUTION alerts you to the possibility of damage or destruction of equipment if you do not follow the corresponding instructions.



WARNING: Failure to read, thoroughly understand, and follow all instructions can result in serious personal injury, damage to equipment, or voiding of factory warranty! It is the installer's responsibility to make sure all components are properly assembled and installed using the instructions provided.



WARNING: Failure to provide adequate structural strength for this component can result in serious personal injury or damage to equipment! It is the installer's responsibility to make sure the structure to which this component is attached can support five times the combined weight of all equipment. Reinforce the structure as required before installing the component.



WARNING: Use this mounting system only for its intended use as described in these instructions. Do not use attachments not recommended by the manufacturer.



WARNING: Never operate this mounting system if it is damaged. Return the mounting system to a service center for examination and repair.



WARNING: Do not use this product outdoors.



WARNING: Exceeding the weight capacity can result in serious personal injury or damage to equipment! It is the installer's responsibility to make sure the combined weight of all components attached to the LVS1U/LV SXU does not exceed maximum weights listed in table below.

MODEL	Maximum Weight Allowed
LVS1U	150 lbs (68.0 kg)
LV SXU	150 lbs (68.0 kg)

IMPORTANT ! : The video wall system ships either with rails (LVS1U) or without (LV SXU). If you're installing a video wall of LV SXU mounts you will need to provide the strut channel for mounting to the wall. (See **LET'S GET STARTED! Measurements You'll Need** section for further information.)

IMPORTANT ! : The LVS1U/LV SXU is designed to be mounted to:

- a bare 8" thick solid concrete wall. Fasteners must be placed a minimum of 16" (406mm) and a maximum of 24" (610mm) apart **AND** within 9" (230mm) of each end of the rail/strut channel.
- a 5/8" minimum thickness plywood-backed, steel stud wall covered with drywall having a maximum thickness of 5/8". Fasteners must be placed a maximum of 8" (203mm) apart **AND** in last slots on each end of rail/strut channel.
- a 2" x 4" wood stud wall covered with drywall having a maximum thickness of 5/8". Fasteners must be placed a minimum of 16" (406mm) and a maximum of 24" (610mm) apart **AND** within 9" (230mm) of each end of the rail/strut channel.

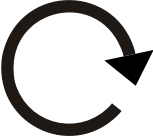











NOTE: For installation on a curved wall, the wall radius must be greater than 200" (508cm).

--SAVE THESE INSTRUCTIONS--

TABLE OF CONTENTS

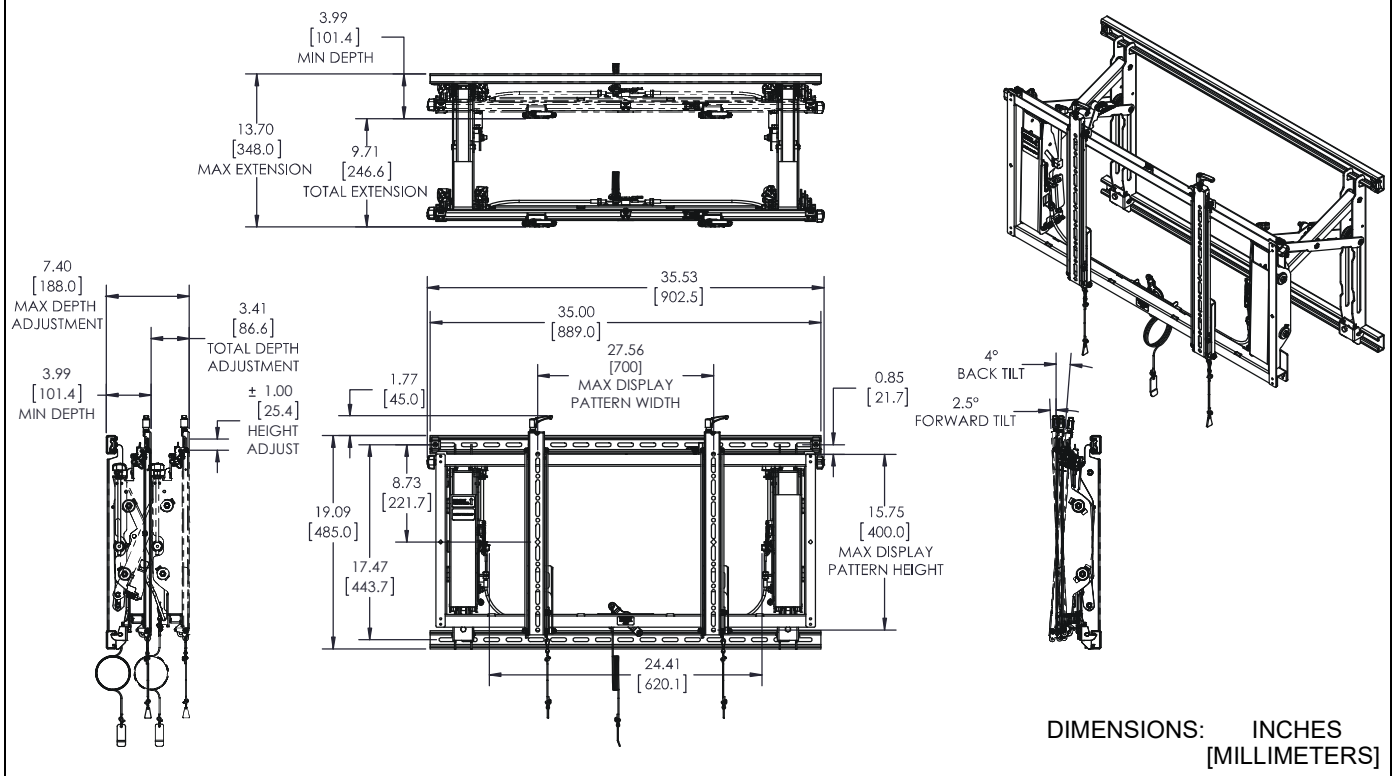
IMPORTANT SAFETY INSTRUCTIONS	2
TABLE OF CONTENTS	3
LEGEND	4
DIMENSIONS	5
TOOLS REQUIRED FOR INSTALLATION	6
PARTS	6
LET'S GET STARTED! Measurements You'll Need	7
MOUNTING PATTERN OFFSET CALCULATION	8
STRUT CHANNEL REQUIREMENTS (LV SXU)	8
CURVED VIDEO WALLS ON FLAT WALL	9
Calculating Wall Radius	9
ALLOWING SPACE FOR MOUNT ADJUSTABILITY.....	9
ATTACHING STRUT CHANNEL OR RAIL	10
HANGING LVS1U/LV SXU MOUNT ON RAIL/STRUT CHANNEL	11
Preparing Strut Channel (LV SXU only)	11
Hanging Mounts	11
INSTALLING INTERFACE BRACKETS	12
ADDING DISPLAYS TO MOUNTS	12
ADJUSTMENTS	13
COMPLETING THE INSTALLATION	15
Cable Management Clips	15
Security	15
FASTENER INSTALLATION METHODS	15
Wood Stud	15
Concrete	15
Plywood-Backed Steel Stud	16
SERVICE	17
Extending and Retracting Mount	17
Interface Bracket Kickstands	17
RapidDraw Display Release	17

LEGEND

	Tighten Fastener Apretar elemento de fijación Befestigungsteil festziehen Apertar fixador Serrare il fissaggio Bevestiging vastdraaien Serrez les fixations		Pencil Mark Marcar con lápiz Stiftmarkierung Marcar com lápis Segno a matita Potloodmerkten Marquage au crayon
	Loosen Fastener Aflojar elemento de fijación Befestigungsteil lösen Desapertar fixador Allentare il fissaggio Bevestiging losdraaien Desserrez les fixations		Drill Hole Perforar Bohrloch Fazer furo Praticare un foro Gat boren Percez un trou
	Phillips Screwdriver Destornillador Phillips Kreuzschlitzschraubendreher Chave de fendas Phillips Cacciavite a stella Kruiskopschroevendraaier Tournevis à pointe cruciforme		Adjust Ajustar Einstellen Ajustar Regolare Afstellen Ajuster
	Open-Ended Wrench Llave de boca Gabelschlüssel Chave de bocas Chiave a punte aperte Steeksleutel Clé à fourche		Remove Quitar Entfernen Remover Rimuovere Verwijderen Retirez
	By Hand A mano Von Hand Com a mão A mano Met de hand À la main		Optional Opcional Optional Opcional Opzionale Optie En option
	Hex-Head Wrench Llave de cabeza hexagonal Sechskantschlüssel Chave de cabeça sextavada Chiave esagonale Zeskantsleutel Clé à tête hexagonale		Security Wrench Llave de seguridad Sicherheitsschlüssel Chave de segurança Chiave di sicurezza Veiligheidsleutel Clé de sécurité

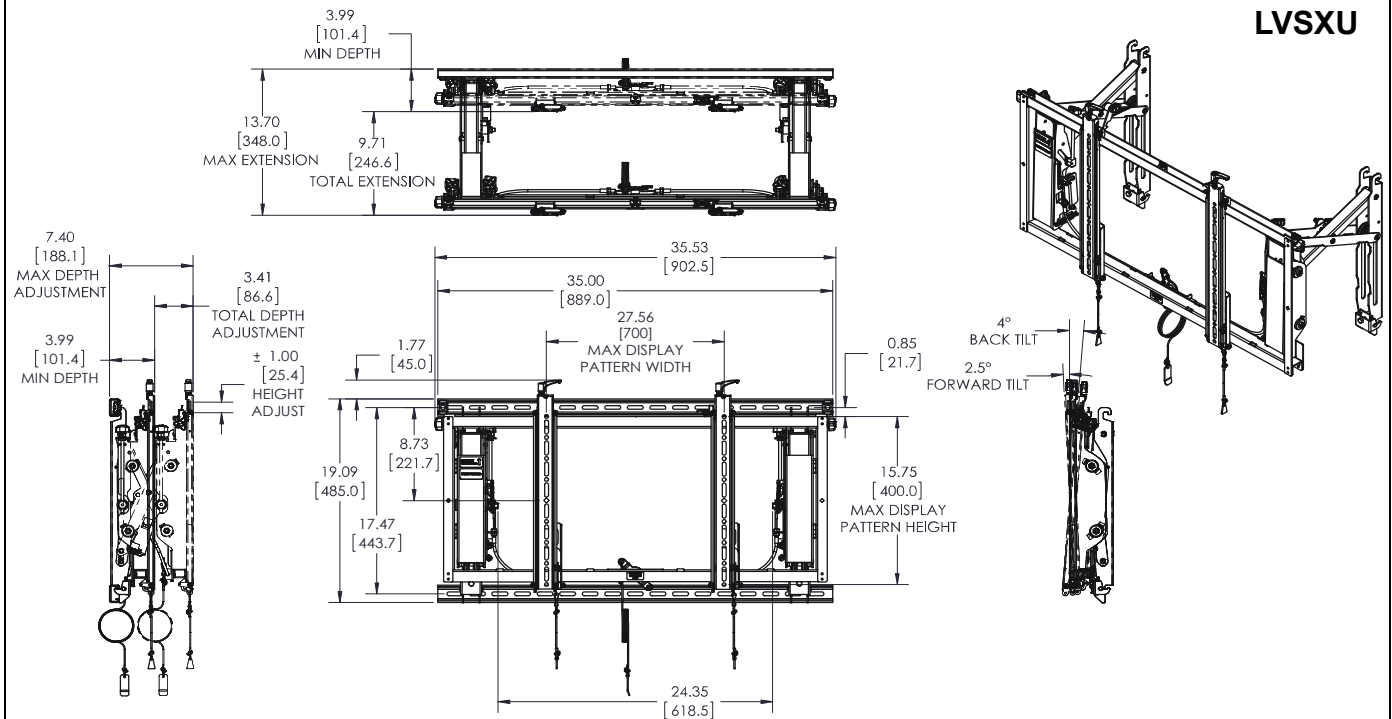
DIMENSIONS

LVS1U



DIMENSIONS: INCHES [MILLIMETERS]

LVSXU



RAILS NOT INCLUDED IN LVSXU VERSION. 13/16" RAILS SHOWN FOR DEPTH AND POSITION MEASUREMENTS ONLY. IF USING A DEEPER STRUT CHANNEL ADD IN THE ADDITIONAL DEPTH.

DIMENSIONS: INCHES [MILLIMETERS]