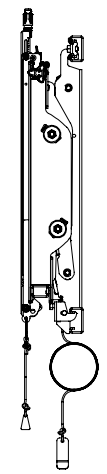
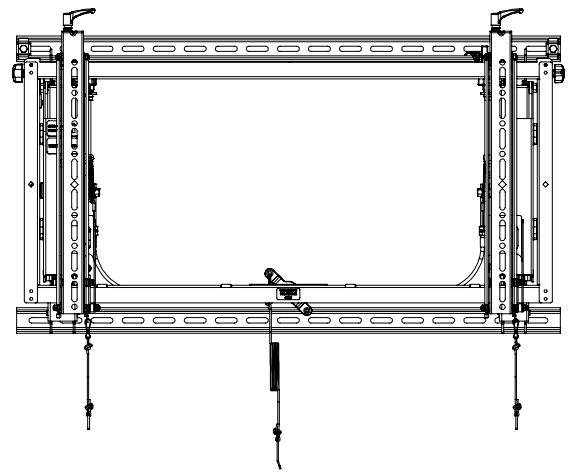
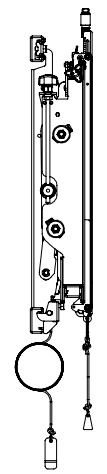
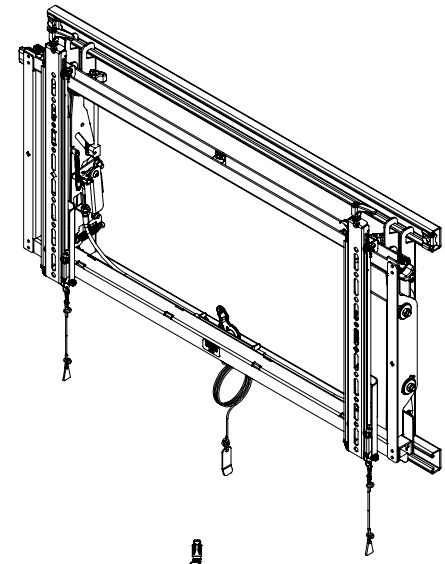
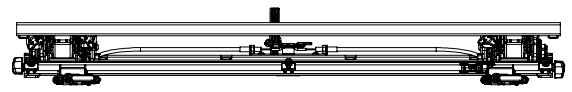
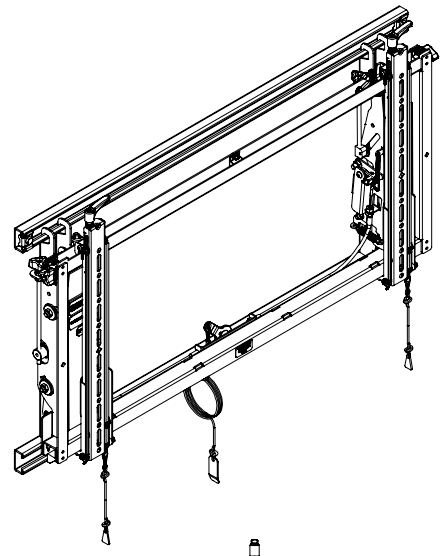


THE INFORMATION AND DESIGNS CONTAINED IN THIS DRAWING ARE CONFIDENTIAL AND THE PROPRIETARY PROPERTY OF MILESTONE AV TECHNOLOGIES NEITHER THIS DESIGN NOR ANY INFORMATION CONTAINED IN THIS DRAWING MAY BE REPRODUCED OR DISCLOSED TO OTHERS WITHOUT THE EXPRESS WRITTEN CONSENT OF MILESTONE AV TECHNOLOGIES.


CAD GENERATED DRAWING, DO NOT MANUALLY UPDATE.			6436 CITY WEST PKWY EDEN PRAIRIE, MN, 55344 PHONE: 956-977-3901 FAX: 957-894-6918
DRAWN BY	MJS 12/2/2013		
ENG APPROVAL	MJS 12/02/2013	DESCRIPTION LV51U, VIDEO WALL MOUNT	
MFG APPROVAL		MODEL NO. LV51U	
QA APPROVAL			
SHEET 1 OF 3	SCALE 1:8	SIZE B	DWG. NO. TECH-000510
			REV. 01

D  
C  
B  
A

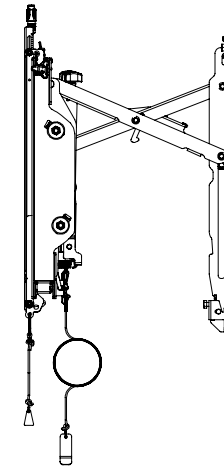
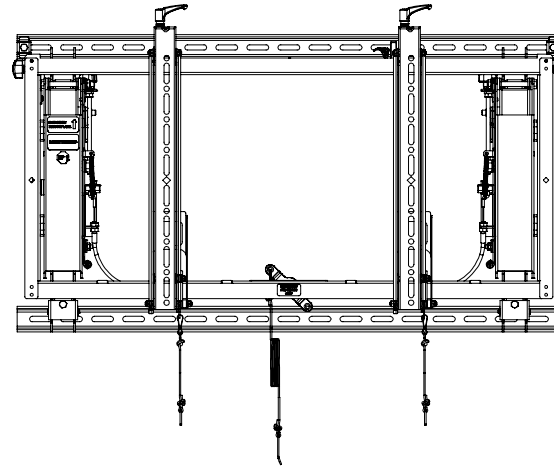
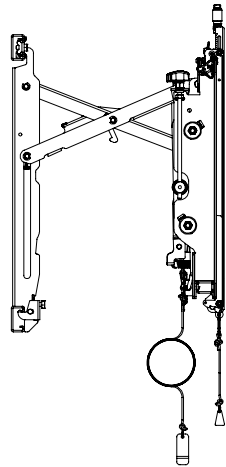
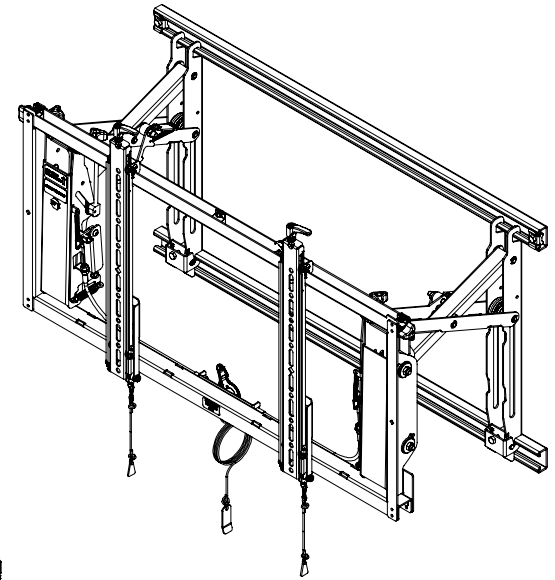
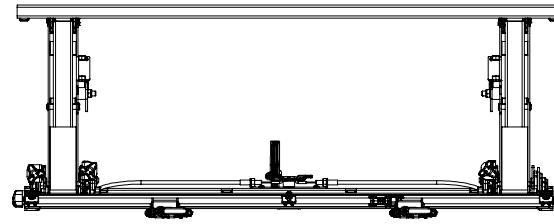
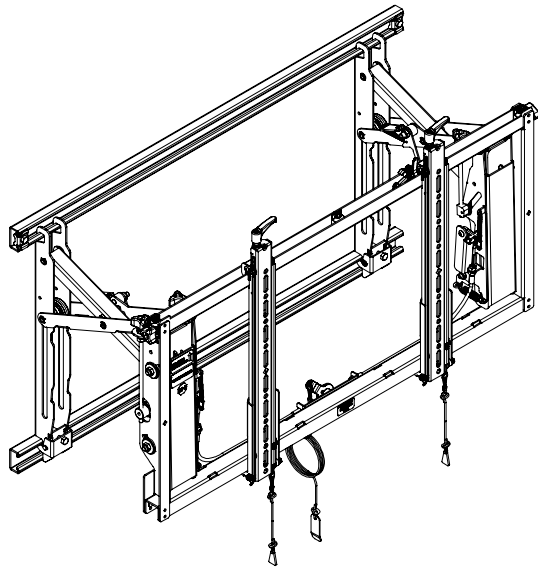
D  
C  
B  
A




THE INFORMATION AND DESIGNS CONTAINED IN THIS DRAWING ARE CONFIDENTIAL AND THE PROPRIETARY PROPERTY OF MILESTONE AV TECHNOLOGIES NEITHER THIS DESIGN NOR ANY INFORMATION CONTAINED IN THIS DRAWING MAY BE REPRODUCED OR DISCLOSED TO OTHERS WITHOUT THE EXPRESS WRITTEN CONSENT OF MILESTONE AV TECHNOLOGIES.

CAD GENERATED DRAWING. DO NOT MANUALLY UPDATE.			 6436 CITY WEST PKWY EDEN PRAIRIE, MN, 55344 PHONE: 866-977-3901 FAX: 877-894-6918
DRAWN BY	MJS	12/2/2013	
ENG APPROVAL	MJS	12/02/2013	DESCRIPTION LV51U, VIDEO WALL MOUNT
MFG APPROVAL			MODEL NO. LV51U
QA APPROVAL			
SHEET 2 OF 3	SCALE 1:8	SFE DWG. NO. B TECH-000510	REV. 01

1 2 3 4 5 6 7 8



THE INFORMATION AND DESIGNS CONTAINED IN THIS DRAWING ARE CONFIDENTIAL AND THE PROPRIETARY PROPERTY OF MILESTONE AV TECHNOLOGIES NEITHER THIS DESIGN NOR ANY INFORMATION CONTAINED IN THIS DRAWING MAY BE REPRODUCED OR DISCLOSED TO OTHERS WITHOUT THE EXPRESS WRITTEN CONSENT OF MILESTONE AV TECHNOLOGIES.

CAD GENERATED DRAWING. DO NOT MANUALLY UPDATE.			 6436 CITY WEST PKWY EDEN PRAIRIE, MN, 55344 PHONE: 866-977-3901 FAX: 877-894-6918
DRAWN BY	MJS	12/2/2013	
ENG APPROVAL	MJS	12/02/2013	DESCRIPTION: LVS1U, VIDEO WALL MOUNT
MFG APPROVAL			MODEL NO. LVS1U
QA APPROVAL			
SHEET 3 OF 3	SCALE 1:8	SFE DWG. NO. B TECH-000510	REV. 01