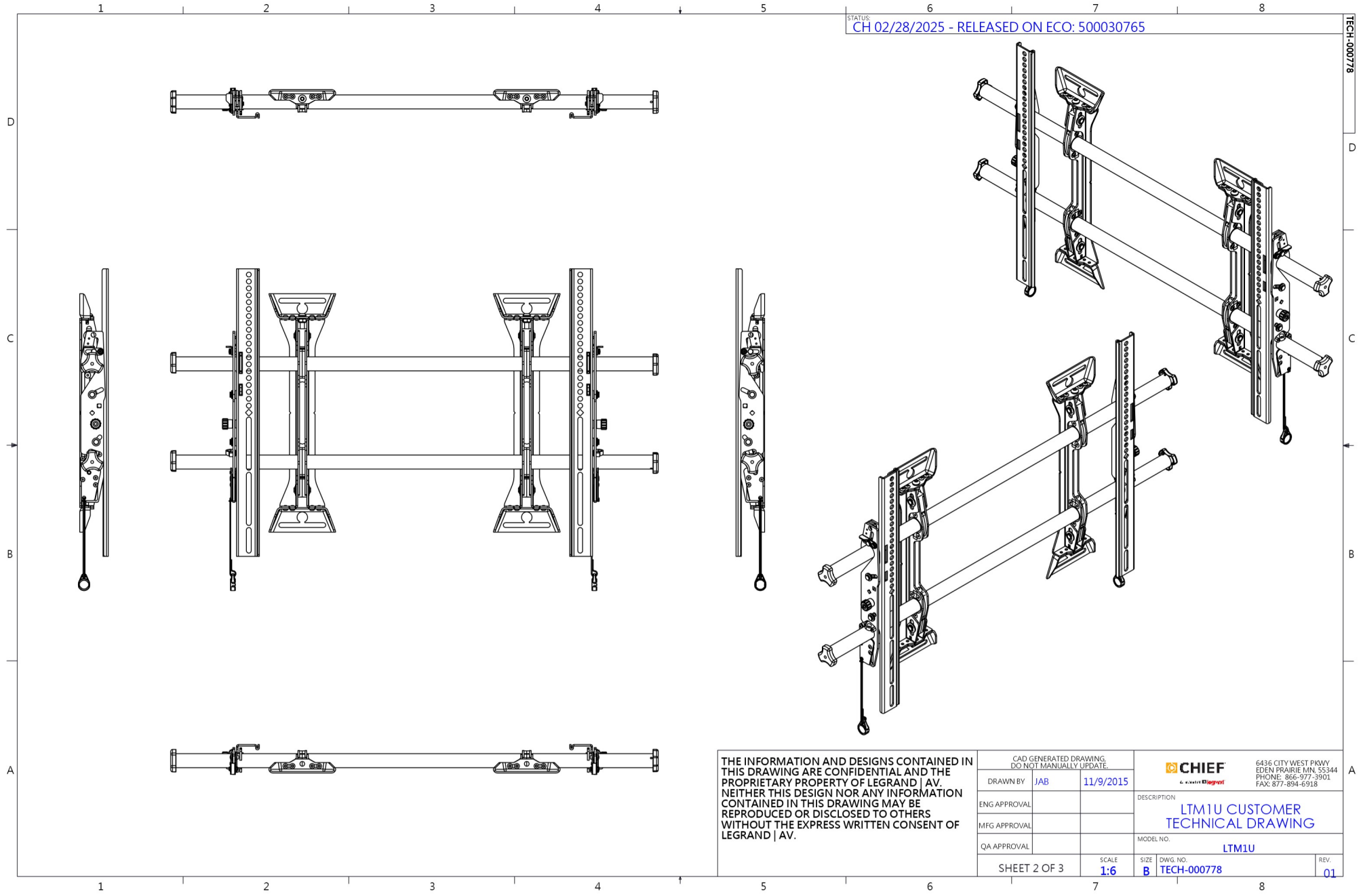


RAILS CAN BE SLID LEFT OR RIGHT FOR OFFSET


1. MAXIMUM MOUNTING PATTERN IS 31.25" [793mm] WITHOUT REVERSING UPRIGHTS (AS SHOWN)
2. MAXIMUM MOUNTING PATTERN IS 34.6" [878mm] WITH REVERSING UPRIGHTS
3. FOR RECESSED APPLICATIONS, MINIMUM VERTICAL LIFT FOR HOOK ENGAGEMENT IS .75" [19mm]

THE INFORMATION AND DESIGNS CONTAINED IN THIS DRAWING ARE CONFIDENTIAL AND THE PROPRIETARY PROPERTY OF LEGRAND | AV. NEITHER THIS DESIGN NOR ANY INFORMATION CONTAINED IN THIS DRAWING MAY BE REPRODUCED OR DISCLOSED TO OTHERS WITHOUT THE EXPRESS WRITTEN CONSENT OF LEGRAND | AV.

CAD GENERATED DRAWING. DO NOT MANUALLY UPDATE.		 6436 CITY WEST PKWY EDEN PRAIRIE, MN 55344 PHONE: 866-977-3901 FAX: 877-824-6918
DRAWN BY	JAB 11/9/2015	
ENG APPROVAL		DESCRIPTION
MFG APPROVAL		LTM1U CUSTOMER TECHNICAL DRAWING
QA APPROVAL		MODEL NO.
		LTM1U
SHEET 1 OF 3	SCALE 1:5	SIZE DWG. NO.
		B TECH-000778
		REV.
		01

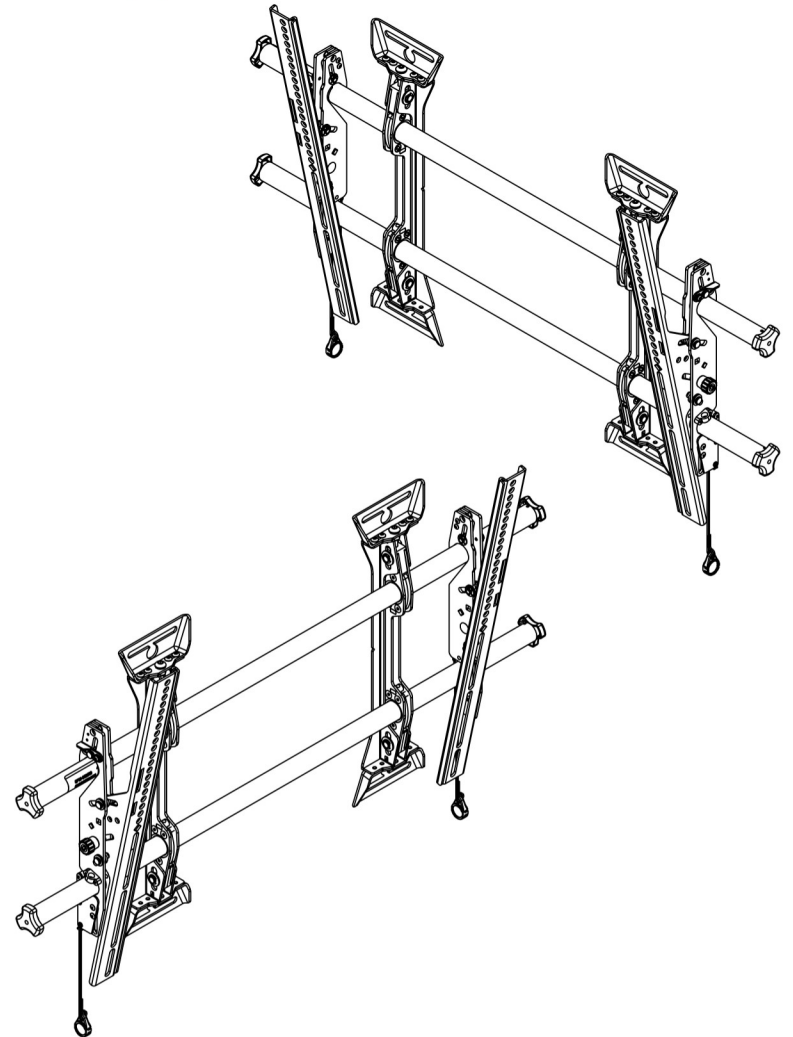
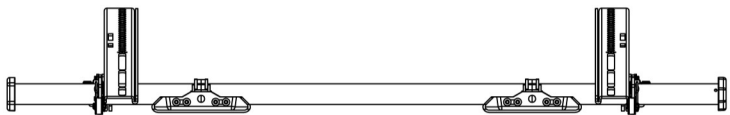
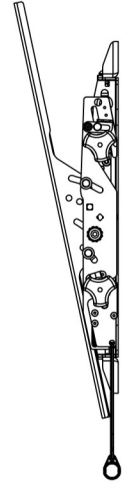
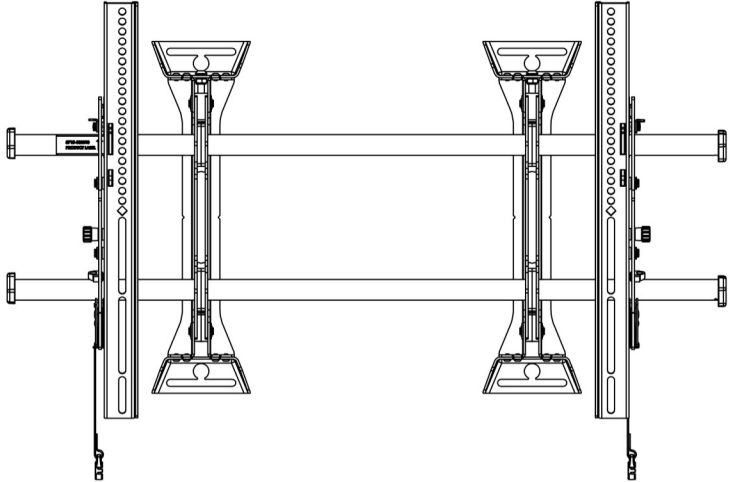
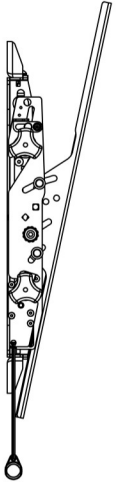
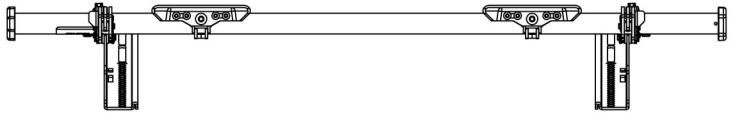


THE INFORMATION AND DESIGNS CONTAINED IN THIS DRAWING ARE CONFIDENTIAL AND THE PROPRIETARY PROPERTY OF LEGRAND | AV. NEITHER THIS DESIGN NOR ANY INFORMATION CONTAINED IN THIS DRAWING MAY BE REPRODUCED OR DISCLOSED TO OTHERS WITHOUT THE EXPRESS WRITTEN CONSENT OF LEGRAND | AV.


CAD GENERATED DRAWING. DO NOT MANUALLY UPDATE.			 6436 CITY WEST PKWY EDEN PRAIRIE, MN, 55344 PHONE: 866-977-3901 FAX: 877-594-6918		
DRAWN BY	JAB	11/9/2015			
ENG APPROVAL			DESCRIPTION		
MFG APPROVAL			LTM1U CUSTOMER TECHNICAL DRAWING		
QA APPROVAL			MODEL NO.		
			LTM1U		
SHEET 2 OF 3		SCALE	SIZE	DWG. NO.	REV.
		1:6	B	TECH-000778	01

D
C
B
A

D
C
B
A



THE INFORMATION AND DESIGNS CONTAINED IN THIS DRAWING ARE CONFIDENTIAL AND THE PROPRIETARY PROPERTY OF LEGRAND | AV. NEITHER THIS DESIGN NOR ANY INFORMATION CONTAINED IN THIS DRAWING MAY BE REPRODUCED OR DISCLOSED TO OTHERS WITHOUT THE EXPRESS WRITTEN CONSENT OF LEGRAND | AV.

CAD GENERATED DRAWING. DO NOT MANUALLY UPDATE.		 6436 CITY WEST PKWY EDEN PRAIRIE, MN 55344 PHONE: 866-977-3901 FAX: 877-594-6918
DRAWN BY	JAB 11/9/2015	
ENG APPROVAL		DESCRIPTION
MFG APPROVAL		LTM1U CUSTOMER TECHNICAL DRAWING
QA APPROVAL		MODEL NO.
		LTM1U
SHEET 3 OF 3	SCALE 1:6	SIZE DWG. NO.
		B TECH-000778
		REV.
		01

1 2 3 4 5 6 7 8