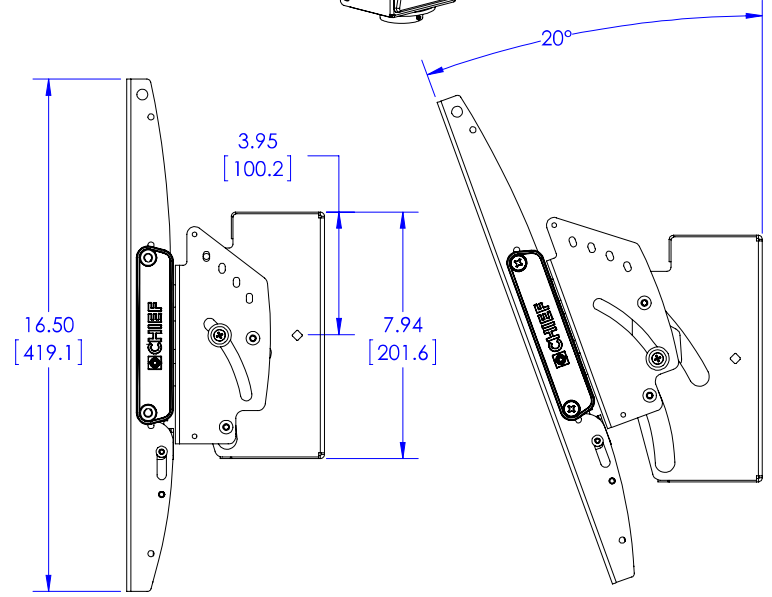
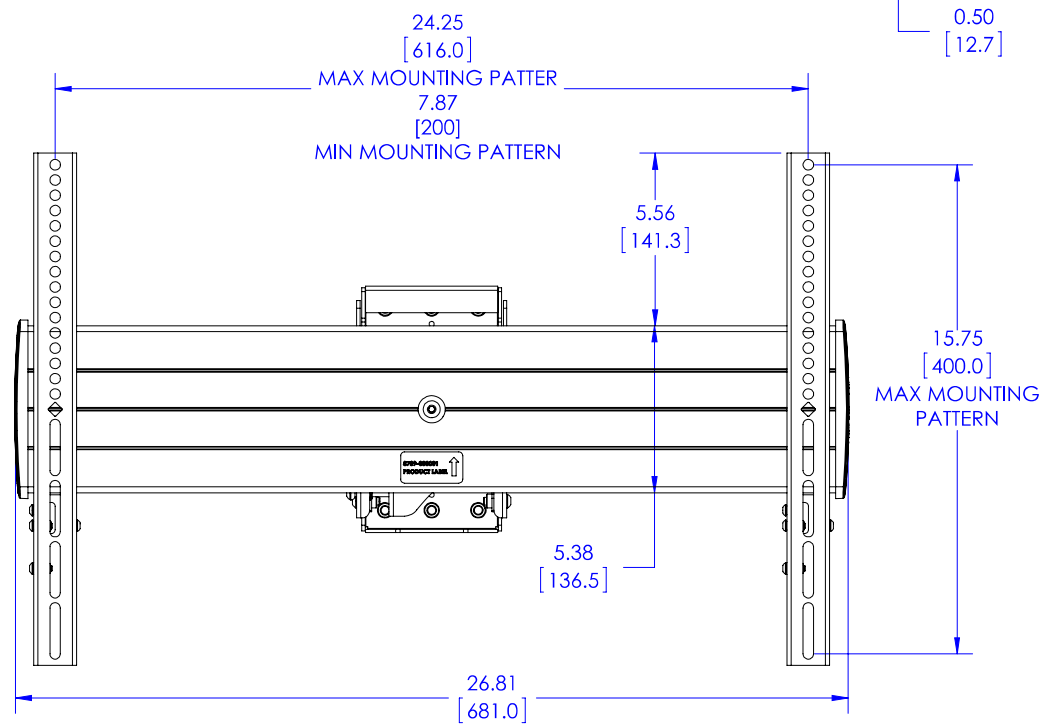
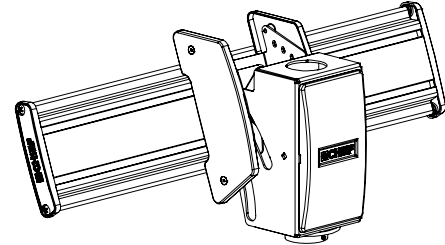
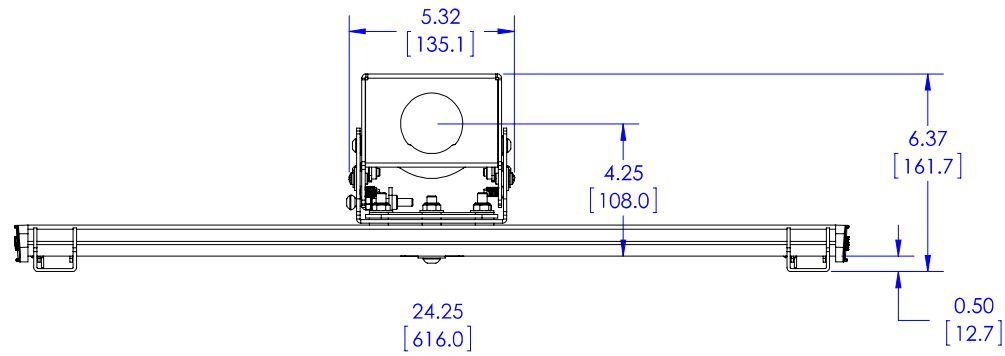


D
C
B
A



THE INFORMATION AND DESIGNS CONTAINED IN THIS DRAWING ARE CONFIDENTIAL AND THE PROPRIETARY PROPERTY OF MILESTONE AV TECHNOLOGIES NEITHER THIS DESIGN NOR ANY INFORMATION CONTAINED IN THIS DRAWING MAY BE REPRODUCED OR DISCLOSED TO OTHERS WITHOUT THE EXPRESS WRITTEN CONSENT OF MILESTONE AV TECHNOLOGIES.

CAD GENERATED DRAWING. DO NOT MANUALLY UPDATE.			6436 CITY WEST PKWY EDEN PRAIRIE, MN, 55344 PHONE: 866-977-3901 FAX: 877-894-6918
DRAWN BY	JAB 07/31/2012		
ENG APPROVAL		DESCRIPTION	LCM1U/LCM1US
MFG APPROVAL		MODEL NO.	LCM1U
QA APPROVAL		SHEET	B
SHEET 1 OF 1		SCALE	1:4
		DWG. NO.	TECH-000204
			REV. 00

1 2 3 4 5 6 7 8

A