

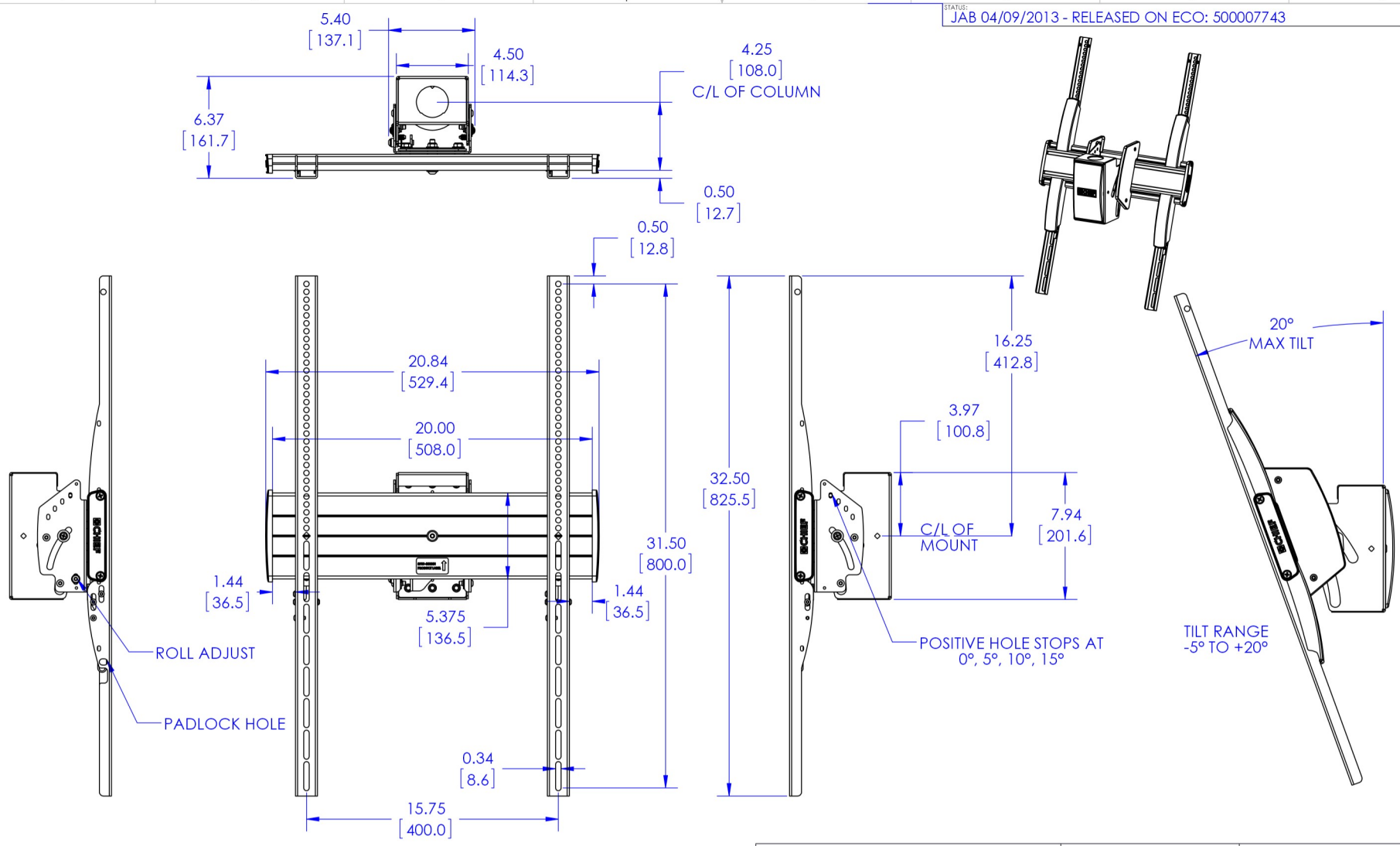
D
C
B
A

D

C

B

A



THE INFORMATION AND DESIGNS CONTAINED IN THIS DRAWING ARE CONFIDENTIAL AND THE PROPRIETARY PROPERTY OF MILESTONE AV TECHNOLOGIES NEITHER THIS DESIGN NOR ANY INFORMATION CONTAINED IN THIS DRAWING MAY BE REPRODUCED OR DISCLOSED TO OTHERS WITHOUT THE EXPRESS WRITTEN CONSENT OF MILESTONE AV TECHNOLOGIES.

CAD GENERATED DRAWING, DO NOT MANUALLY UPDATE.		6436 CITY WEST PKWY, EDEN PRAIRIE, MN, 55344 PHONE: 952-977-3901 FAX: 952-977-6918	
DRAWN BY	JAB	4/1/2013	CHIEF DESCRIPTION SINGLE CEILING MOUNT PORTRAIT MODEL NO. LCM1UP/LCM1UPS
ENG APPROVAL			
MFG APPROVAL			
QA APPROVAL			
SHEET 1 OF 1	SCALE 1:12	SIZE B	DWG. NO. TECH-000358
			REV. 00

1 2 3 4 5 6 7 8