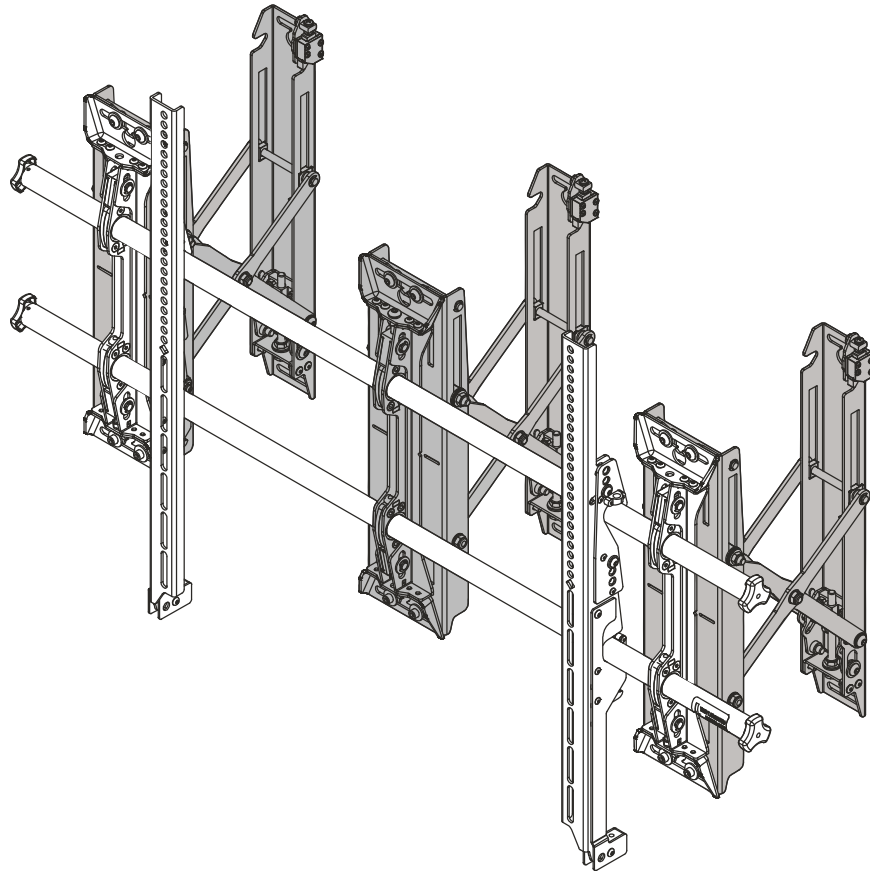


INSTALLATION INSTRUCTIONS



XL Fusion Pull-Out Accessory

DISCLAIMER

Legrand | AV and its affiliated corporations and subsidiaries (collectively “Legrand | AV”), intend to make this manual accurate and complete. However, Legrand | AV makes no claim that the information contained herein covers all details, conditions or variations, nor does it provide for every possible contingency in connection with the installation or use of this product. The information contained in this document is subject to change without notice or obligation of any kind. Legrand | AV makes no representation of warranty, expressed or implied, regarding the information contained herein. Legrand | AV assumes no responsibility for accuracy, completeness or sufficiency of the information contained in this document.


Chief® is a registered trademark of Legrand AV Inc.


DEFINITIONS

MOUNTING SYSTEM: A MOUNTING SYSTEM is the primary Chief product to which an accessory and/or component is attached.


ACCESSORY: AN ACCESSORY is the secondary Chief product which is attached to a primary Chief product, and may have a component attached or setting on it.


COMPONENT: A COMPONENT is an audiovisual item designed to be attached or resting on an accessory or mounting system such as a video camera, CPU, screen, display, projector, etc.

 **WARNING:** A WARNING alerts you to the possibility of serious injury or death if you do not follow the instructions.

 **CAUTION:** A CAUTION alerts you to the possibility of damage or destruction of equipment if you do not follow the corresponding instructions.

 **IMPORTANT SAFETY INSTRUCTIONS**

 **WARNING:** Failure to read, thoroughly understand, and follow all instructions can result in serious personal injury, damage to equipment, or voiding of factory warranty! It is the installer’s responsibility to make sure all accessories are properly assembled and installed using the instructions provided.

 **WARNING:** Failure to provide adequate structural strength for this accessory can result in serious personal injury or damage to equipment! It is the installer’s responsibility to make sure the structure to which this accessory is attached can support five times the combined weight of all equipment. Reinforce the structure as required before installing the accessory.





 **WARNING:** Exceeding the weight capacity can result in serious personal injury or damage to equipment! Adding the FCAXV1U accessory may change the weight capacity listed for the mounting system, and is dependent upon the mounting substrate. Consult (Table 1) for the XTM1U and XSM1U mounting systems’ weight capacities when attached to the FCAXV1U and mounted to various mounting substrates.

Table 1: Weight Capacity When Attached to FCAXV1U

Mounting Substrate	XTM1U Max Weight Allowed	XSM1U Max Weight Allowed
Triple 16" on-center 2" x 4" - 25ga minimum steel studs wall	200 lbs (90.7 kg)	200 lbs (90.7 kg)
Triple 16" on-center 2" x 4" wood studs wall	250 lbs (113.4 kg)	200 lbs (90.7 kg)
3/4" Plywood-backed steel stud wall covered with maximum drywall thickness of 5/8"	250 lbs (113.4 kg)	200 lbs (90.7 kg)
Bare 8" Concrete Wall	250 lbs (113.4 kg)	200 lbs (90.7 kg)
Bare 8"x8"x16" Concrete Block Wall	250 lbs (113.4 kg)	200 lbs (90.7 kg)

 **WARNING:** Use this accessory only for its intended use as described in these instructions. Do not use attachments not recommended by the manufacturer.

 **WARNING:** Never operate this accessory if it is damaged. Return the accessory to a service center for examination and repair.

 **WARNING:** Do not use this accessory outdoors.

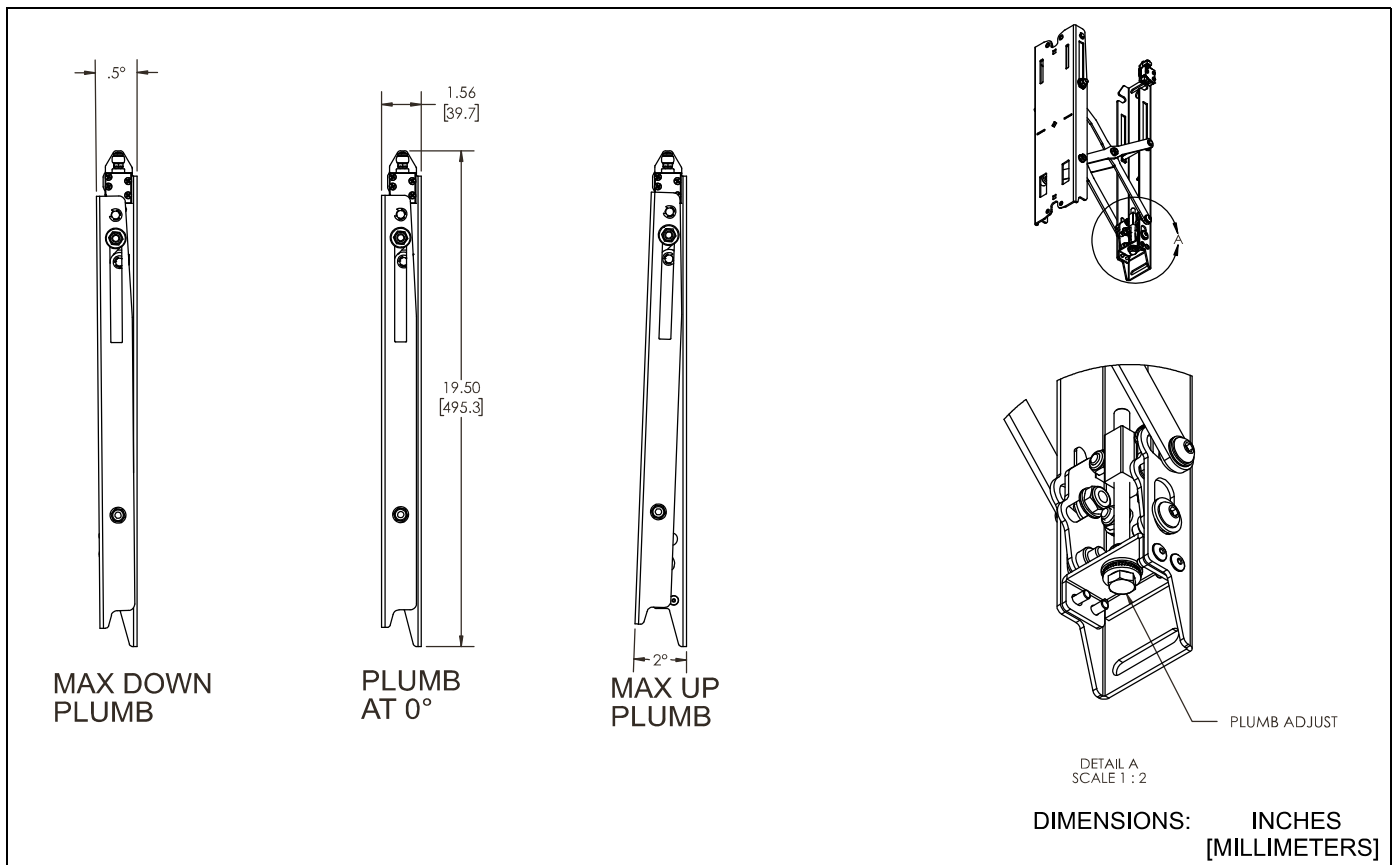
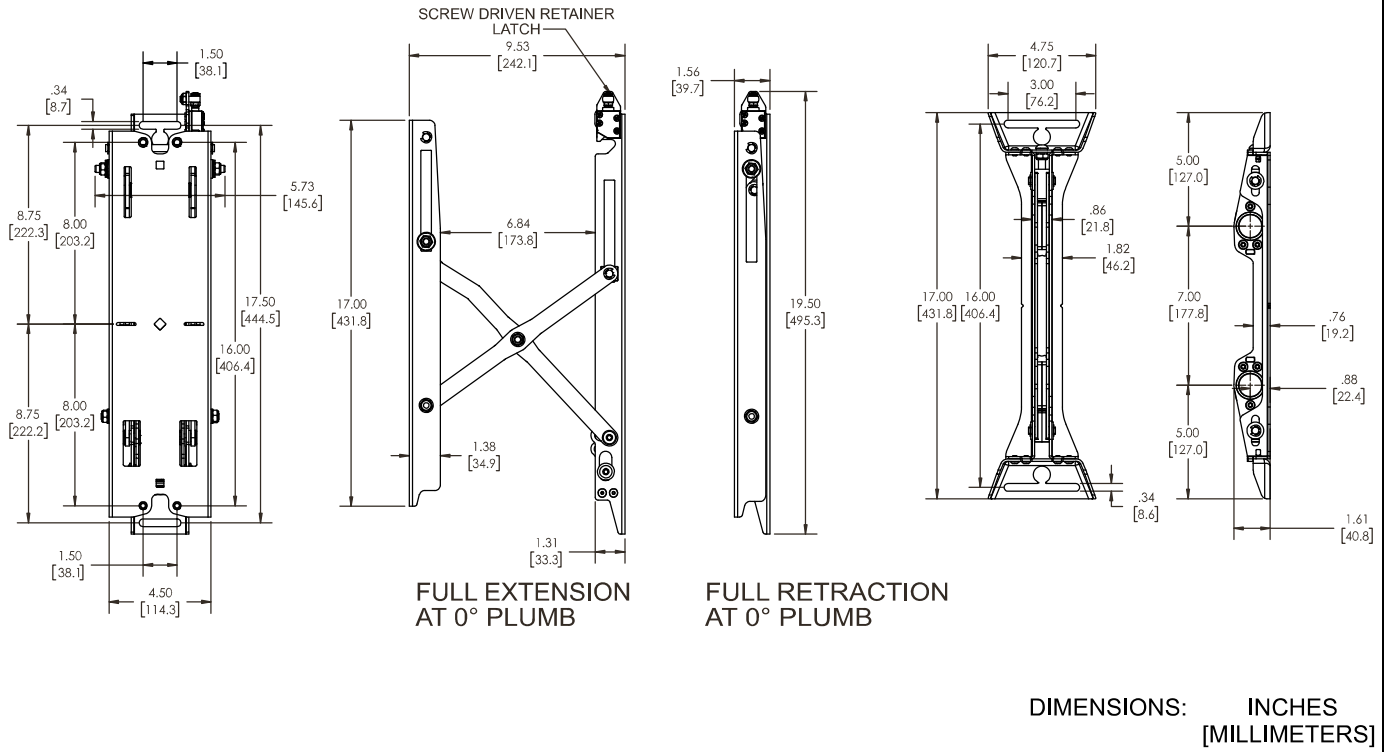
NOTE: Accessory is intended to be used with the following Chief mounting systems (not included):

- XTM1U
- XSM1U

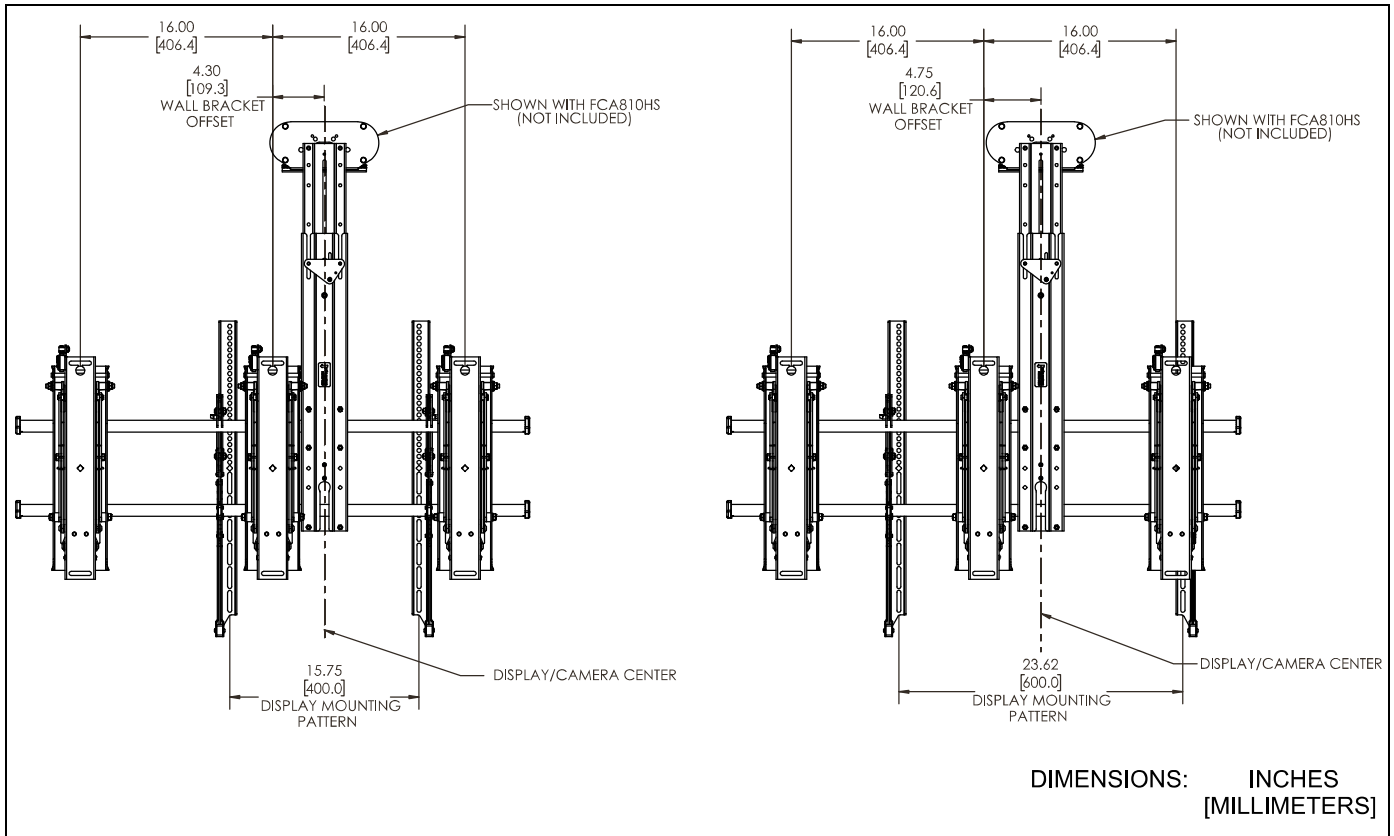
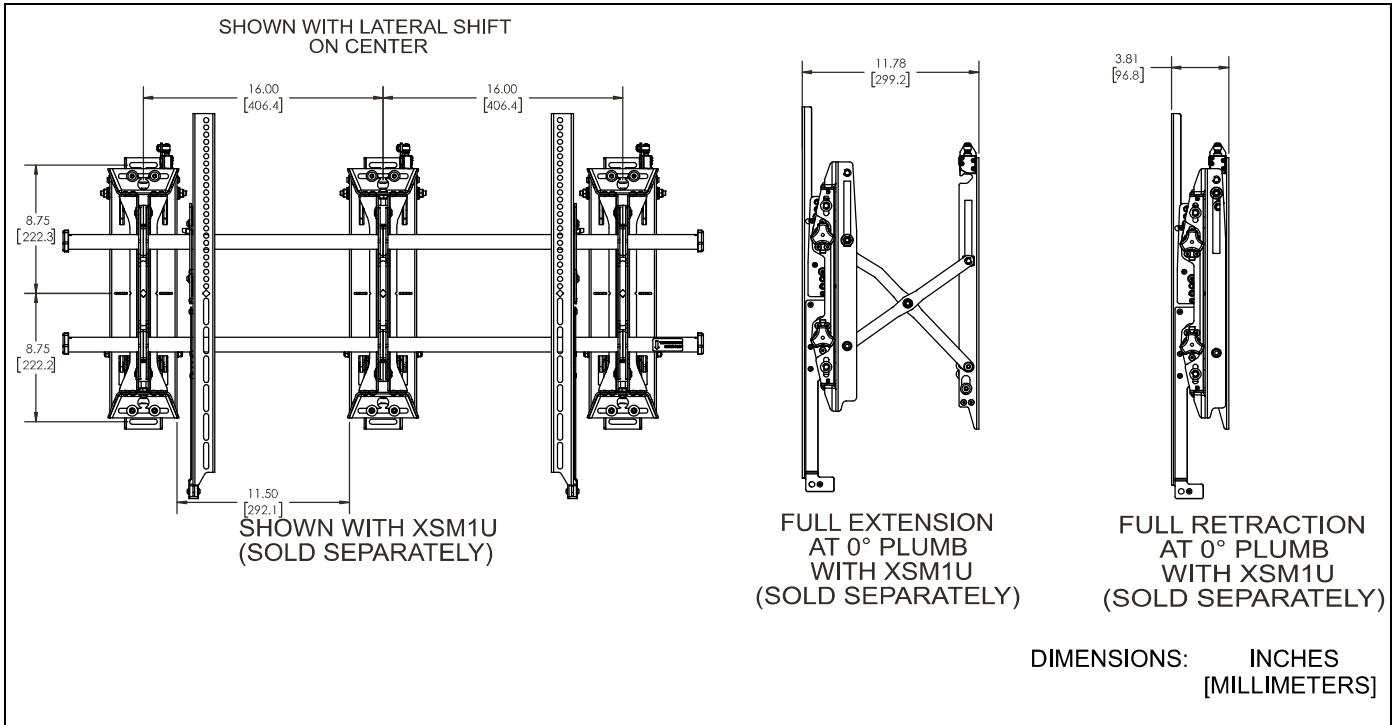
--SAVE THESE INSTRUCTIONS--

DIMENSIONS

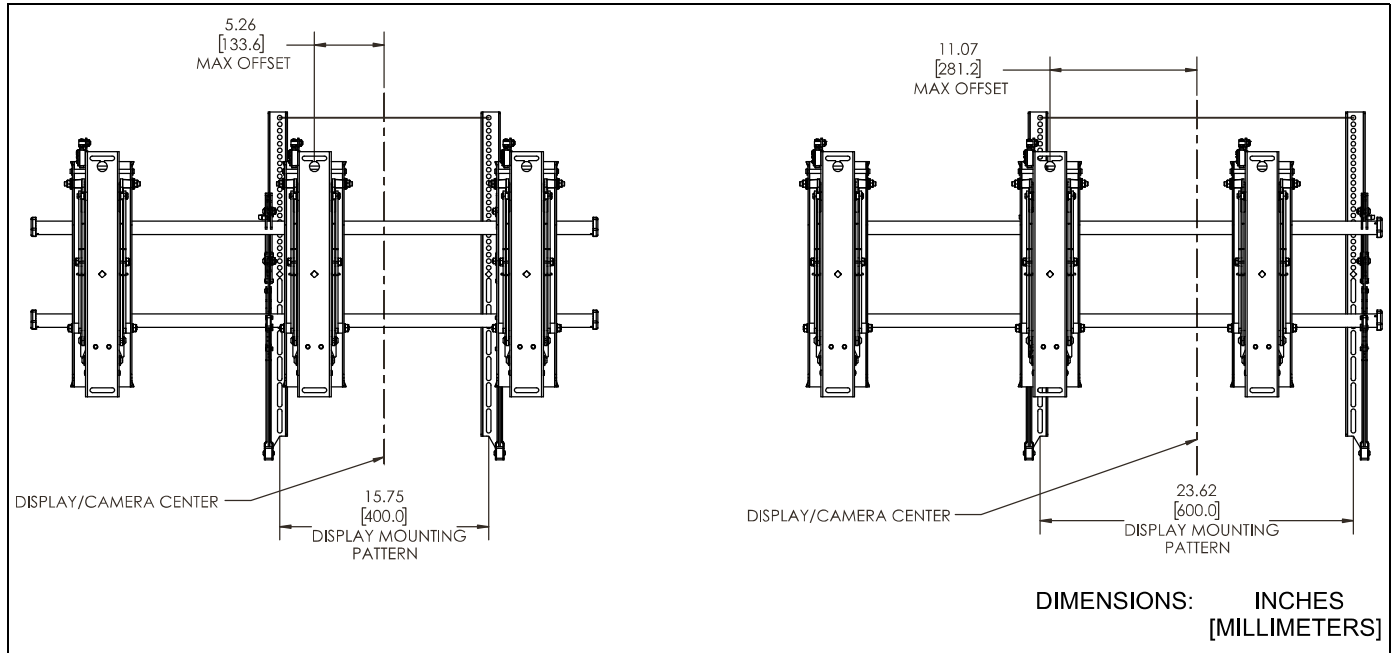
FCAXV1U CONTAINS THREE SCISSOR ASSEMBLIES AND ONE FUSION WALL ASSEMBLY



DIMENSIONS -- continued



DIMENSIONS -- continued



LEGEND

	<p>Tighten Fastener Apretar elemento de fijación Befestigungsteil festziehen Apertar fixador Serrare il fissaggio Bevestiging vastdraaien Serrez les fixations</p>		<p>Open-Ended Wrench Llave de boca Gabelschlüssel Chave de bocas Chiave a punta aperte Steeksleutel Clé à fourche</p>
	<p>Loosen Fastener Aflojar elemento de fijación Befestigungsteil lösen Desapertar fixador Allentare il fissaggio Bevestiging losdraaien Desserrez les fixations</p>		<p>Hex-Head Wrench Llave de cabeza hexagonal Sechskantschlüssel Chave de cabeça sextavada Chiave esagonale Zeskantsleutel Clé à tête hexagonale</p>
	<p>Drill Hole Perforar Bohrloch Fazer furo Praticare un foro Gat boren Percez un trou</p>		<p>Phillips Screwdriver Destornillador Phillips Kreuzschlitzschraubendreher Chave de fendas Phillips Cacciavite a stella Kruiskopschroevendraaier Tournevis à pointe cruciforme</p>

TOOLS REQUIRED FOR INSTALLATION

7/32" (5.5mm) Wood Stud
3/8" (9.5mm) Concrete
1/2" (12.7mm) Steel Stud

1/2"

1/2"

3/16" (included)

**Hardware Required - not included
(for installation into steel stud walls)**

1. Chief brand FCAT1 Toggler Kit; **OR**
2. Hardware for installation to steel stud wall (except for plywood-backed steel stud):
 - 1/4-20 Toggler Snaptoggle BB (Qty 6)
 - 1/4-20 x 2-1/2" hex head bolt (Qty 6)

PARTS

A (3)
[Fusion pullout accessory]

Wall-Mounting Hardware Kit

B (6)
5/16 x 2-1/2"

C (6)
[Fischer UX10x60R]

D (6)
5/16"

FCAXV1U Hardware Kit

E (1)
3/16" x 10"

F (6)
1/4-20 x 1/2"

G (6)
5/16-18 x 1/2"

H (6)
1/4"

J (6)
5/16"

K (1)
[Fusion wall plate]

INSTALLATION

NOTE: The FCAXV1U enables the mounting system to be pulled out away from the wall for any servicing needs.

Locate Mounting Site



WARNING: IMPROPER INSTALLATION CAN LEAD TO MOUNT FALLING CAUSING SEVERE PERSONAL INJURY OR DAMAGE TO EQUIPMENT! It is the installers responsibility to make certain the structure to which the accessory is being attached is capable of supporting five times the combined weight of accessory and mount, **not to exceed weight capacities listed in Table 1 (See Table 1).**

NOTE: Proceed to either the **Installing to a Wood Stud Wall/ Plywood-Backed Steel Stud Wall, Installing to a Concrete/Concrete Block Wall, or Installing to a Steel Stud Wall** section.

Installing to a Wood Stud Wall / Plywood-Backed Steel Stud Wall

IMPORTANT ! : See **SITE REQUIREMENTS - Steel Stud Wall / Plywood-Backed Steel Stud Wall** section before proceeding with Plywood-Backed Steel Stud installation to ensure installation site meets requirements! The drywall must have a minimum thickness of 1/2"! (See Figure 4)

IMPORTANT ! : For Plywood-Backed Steel Stud Wall there is NOT a requirement to install into studs.

1. Determine the center of the TV screen, and where it should be located on the wall.
2. Locate the closest stud to the left or right of the selected location, and then the next closest studs to the left and right of the center of screen marking.

NOTE: If the screen area lies over a stud, use that stud and the stud to both the left and right of it.

3. Line up the diamond cutouts on Fusion pullout (A) with center of screen marking to determine vertical center. (See Figure 1)
4. Measure up 8.75" (222.3 mm) from the center point (by hooking tape measure in slots on front of FCAXV1U) to mark location of the upper mounting slots.

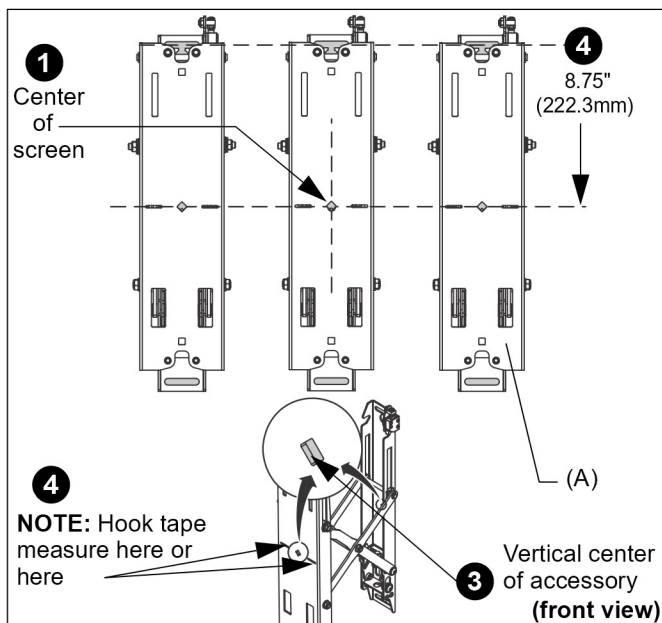


Figure 1

5. Using a level, mark the wall on the three studs to attach the accessory through the upper mounting slots. (See Figure 2)
6. Drill one 7/32" (5.5mm) pilot hole in each stud.

NOTE: The slotted washers have been included to help make the installation easier. Wait to place the slotted washer **AFTER** the Fusion pullouts are hanging on the partially installed lag bolts. (See Steps 7-10)

7. Partially install three 5/16 x 2-1/2" flanged lag bolts (B) into pilot holes but do not tighten to wall.
8. Hang three Fusion pullouts (A), aligning upper mounting slots over lag bolts and adjust side-to-side for proper location.
9. Place one slotted washer (D) over each flanged lag bolt. (See Figure 2)
10. Tighten lag bolts to secure accessory (A) to wall at upper mounting slots.
11. Mark the attachment points for the lower mounting slots, making sure the attachment points are located on the studs. (See Figure 2)
12. Drill 7/32" (5.5mm) pilot holes at markings for lower mounting holes. (See Figure 2)
13. Use three 5/16 x 2-1/2" flanged lag bolts (B) and three 5/16" slotted washers (D) to attach three pullouts (A) to the wall through the lower mounting holes. (See Figure 2)
14. Proceed to **Attaching Mounting System** section.

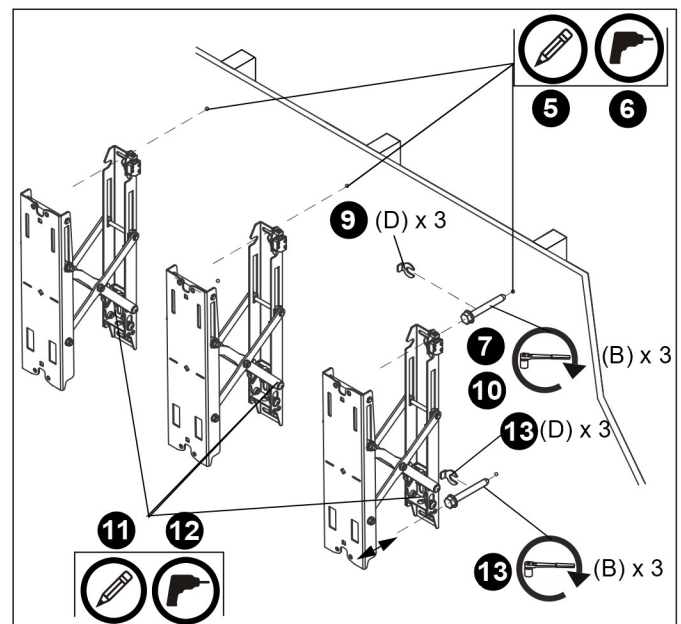


Figure 2

Installing to a Concrete/Concrete Block Wall

1. Determine the center of the TV screen, and where it should be located on the wall.
2. Line up the notches on Fusion pullout (A) with center of screen marking to determine vertical center. (See Figure 1)
3. Measure up 8.75" (222.3) from the center point to mark location of the upper mounting slots. (See Figure 1)
4. Using a level, mark the wall through three upper mounting slots. (See Figure 3)

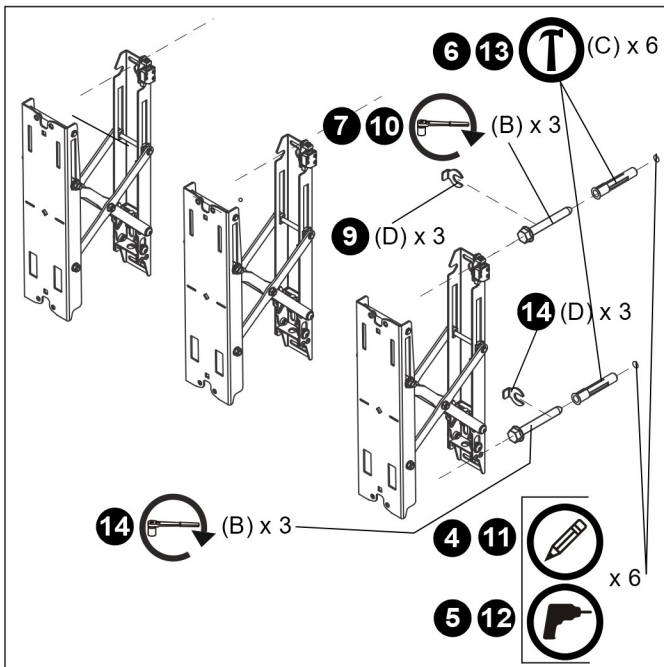


Figure 3



CAUTION: MINIMUM HORIZONTAL DISTANCE BETWEEN WALL BRACKETS IS 16" (406.4mm). Do not place FCAXV1U pullout accessories closer together than 16" (406.4mm).

5. Drill one 3/8" x 3-1/2" (9.5mm x 88.9mm) pilot hole at each marking.
6. Install an anchor (C) into each pilot hole using a hammer, making sure that the anchor is flush with the wall.

NOTE: The slotted washers have been included to help make the installation easier. Wait to place the slotted washer **AFTER** the Fusion pullouts are hanging on the partially installed lag bolts. (See Steps 7-10)

7. Partially install three 5/16 x 2-1/2" flanged lag bolts (B) into pilot holes but do not tighten to wall.
8. Hang accessory (A), aligning upper mounting slots over lag bolts, and adjust side-to-side for proper location.
9. Place one slotted washer (D) over each flanged lag bolt. (See Figure 3)
10. Tighten lag bolts to secure Fusion pullout (A) to wall at upper mounting slots.

11. Mark the attachment points for the lower mounting slots, making sure the attachment points are located on the studs. (See Figure 3)
12. Drill 3/8" x 3-1/2" (9.5mm x 88.9mm) pilot holes at markings for lower mounting holes. (See Figure 3)
13. Install an anchor (C) into each pilot hole using a hammer, making sure that the anchor is flush with the wall.
14. Use three 5/16 x 2-1/2" flanged lag bolts (B) and three 5/16" slotted washers (D) to attach the accessory to the wall through the lower mounting holes. (See Figure 3)
15. Proceed to **Attaching Mounting System** section.

SITE REQUIREMENTS - Steel Stud Wall / Plywood-Backed Steel Stud Wall



WARNING: IMPROPER INSTALLATION CAN LEAD TO EQUIPMENT FALLING CAUSING SERIOUS PERSONAL INJURY OR DAMAGE TO EQUIPMENT! The figure below identifies the minimum requirements for installation of display mounts onto a steel stud structure. If the structure or its components do not meet these requirements contact the mount manufacturer for specific instructions before attempting installation. It should also be noted that no other equipment should be mounted to the same stud.



If back side of wall is unfinished, drywall must be installed to a minimum of one stud left and right of the stud(s) being used to install the mount. Drywall must be secured to studs with screws a maximum of 12" apart down center

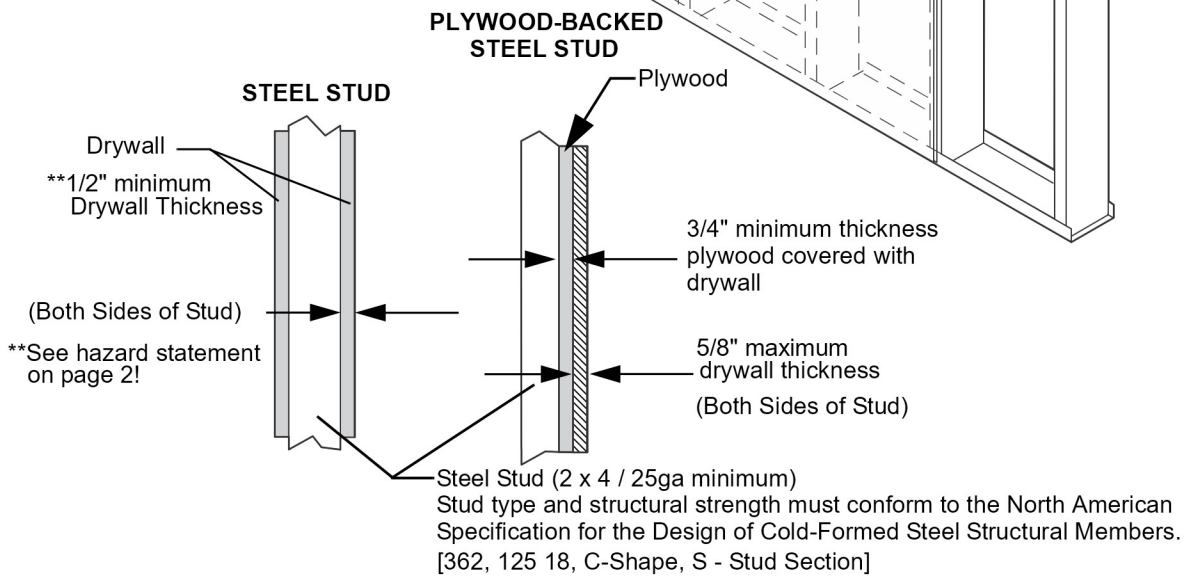
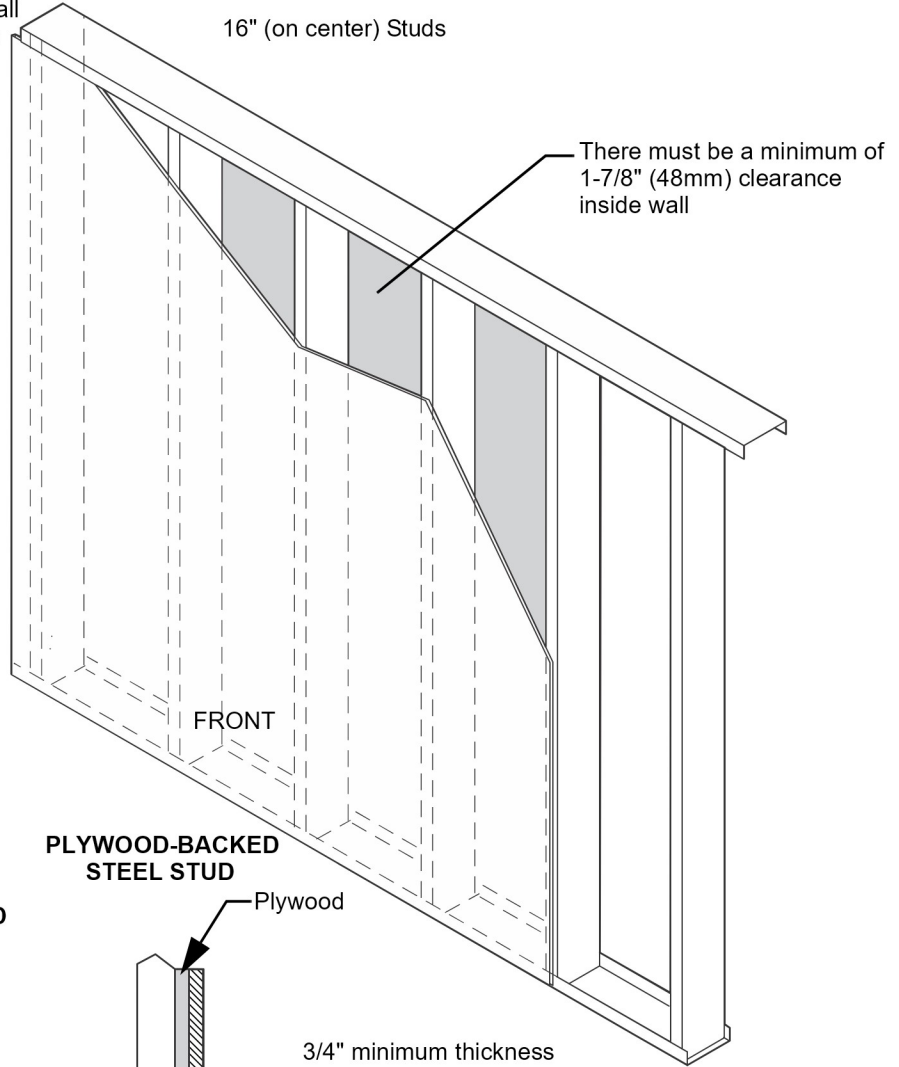


Figure 4

Installing to a Steel Stud Wall

NOTE: Follow these instructions for steel stud walls constructed of triple 16" on-center 2" x 4"-25ga minimum steel studs.

IMPORTANT ! : See **SITE REQUIREMENTS - Steel Stud Wall / Plywood-Backed Steel Stud Wall** section before proceeding with Steel Studs installation to ensure installation site meets requirements! The drywall must have a minimum thickness of 1/2"! (See Figure 4)

IMPORTANT ! : If installing into plywood-backed steel studs, follow the directions and use hardware outlined in **Installing to a Wood Stud Wall / Plywood-Backed Steel Stud Wall**

IMPORTANT ! : Using a level, mark the wall on three studs for location of the accessory and drill 1/2" pilot holes at markings. Follow the directions outlined in **Installing to a Wood Stud Wall / Plywood-Backed Steel Stud Wall** using the hardware for installing to steel stud walls [Togglers and hex head bolts (not included)].

1. Hold metal channel on anchor flat alongside plastic straps and slide channel through hole. (See Figure 5)

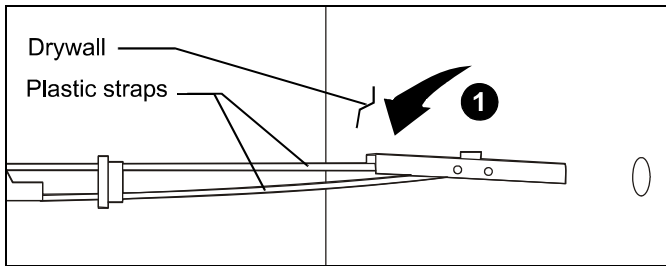


Figure 5

2. Holding plastic straps on anchor, pull anchor away from wall until channel rests flush behind wall making sure anchor channel is positioned vertically on drywall, or steel stud (if present). (See Figure 6)
3. Slide plastic cap on anchor towards wall until flange of cap is flush with wall. (See Figure 6)

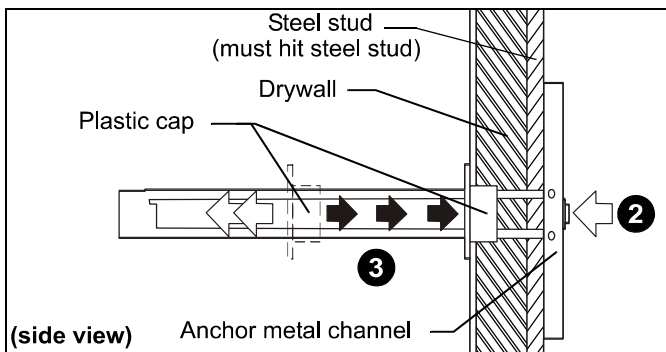


Figure 6

4. Snap off plastic straps on anchor at wall by pushing side to side, snapping off straps level with flange of plastic cap. (See Figure 7)

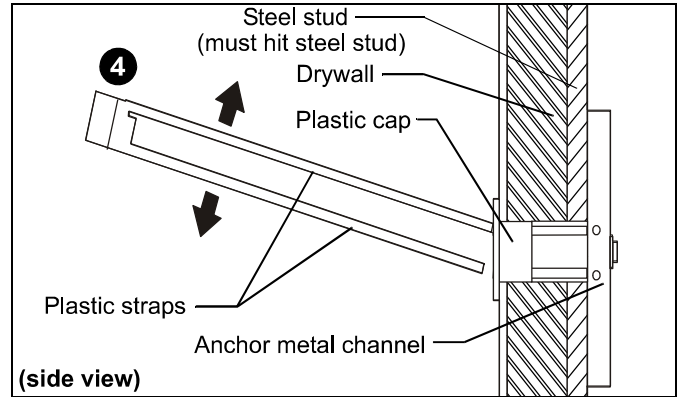


Figure 7

5. Line up anchor with attachment point.
6. Insert 1/4-20 x 1-3/4" Phillips pan head screw through 1/4" washer, corresponding mounting hole in wall bracket and into anchor, and tighten until flush against wall bracket. **DO NOT** over tighten! (See Figure 8)

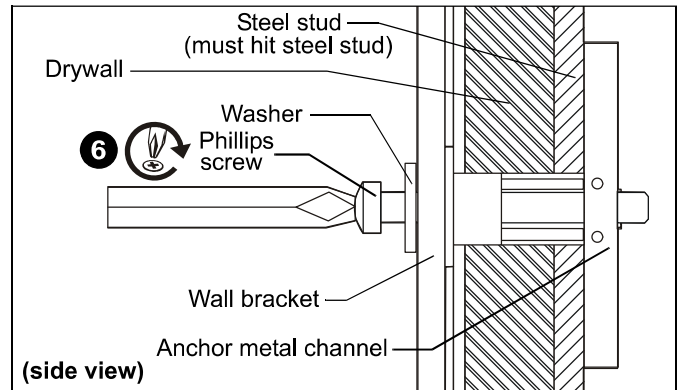


Figure 8

ATTACHING MOUNTING SYSTEM

1. Remove caps from one side of mounting rails on XTM1U/ XSM1U mount. (See Figure 9)

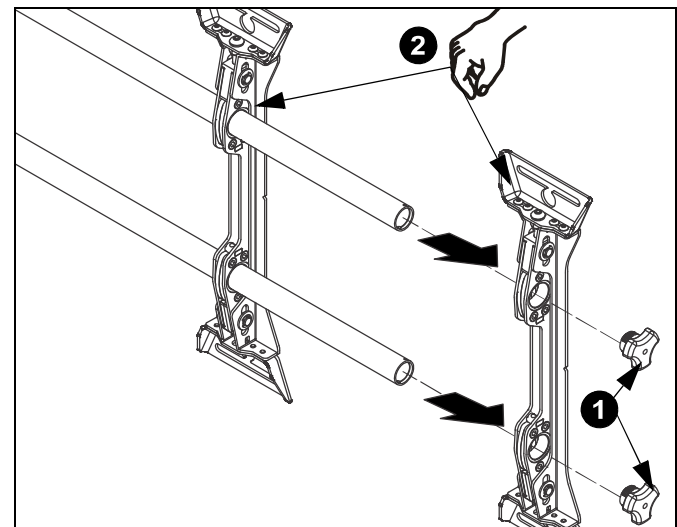


Figure 9

2. Slide both Fusion wall plates off XTM1U/XSM1U mount rails. (See Figure 9)
3. Attach top of one Fusion wall plate [(K) and two wall plates removed from XTM1U/XSM1U] to each Fusion pullout (A) using two 5/16 x 1/2" button head cap screws (G) and two 5/16" washers (J) in each top mounting slot. (See Figure 10)
4. Attach bottom of Fusion wall plates to bottom of Fusion pullout using two 1/4-20 x 1/2" socket head cap screws (F) and two 1/4" washers (H) in each bottom mount slot. (See Figure 10)

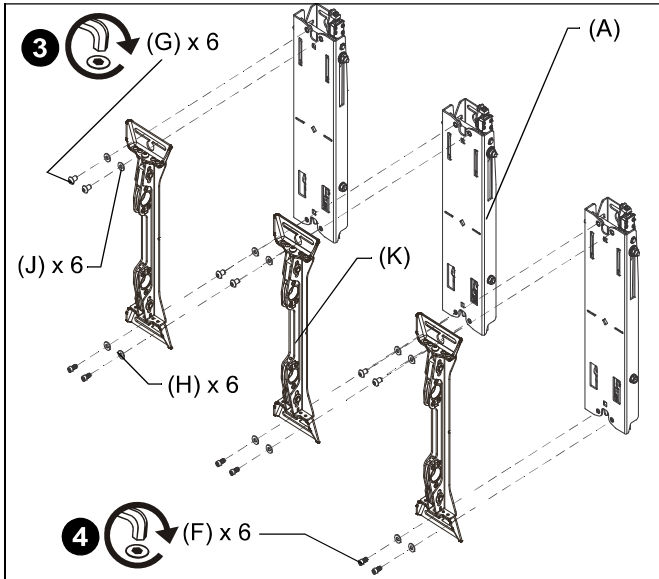


Figure 10

5. Slide rails from the XTM1U/XSM1U mounting system through the three Fusion wall plates. (See Figure 7)
6. Reattach end caps to the rails. (See Figure 7)

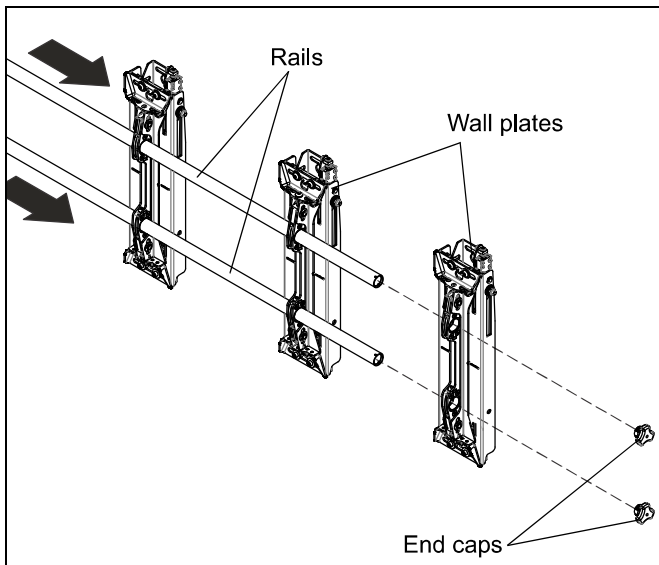


Figure 11

7. The remainder of the mounting system installation may be completed at this time, following the installation instructions included with the mounting system.

ADJUSTMENTS

Moving Mount to Wall (Optional)

1. Close the FCAXV1U brackets and tighten the retainer latch (turn **counterclockwise**) to hold the brackets in the retracted position. (See Figure 12)

IMPORTANT ! : Do NOT over-tighten the retainer latch.

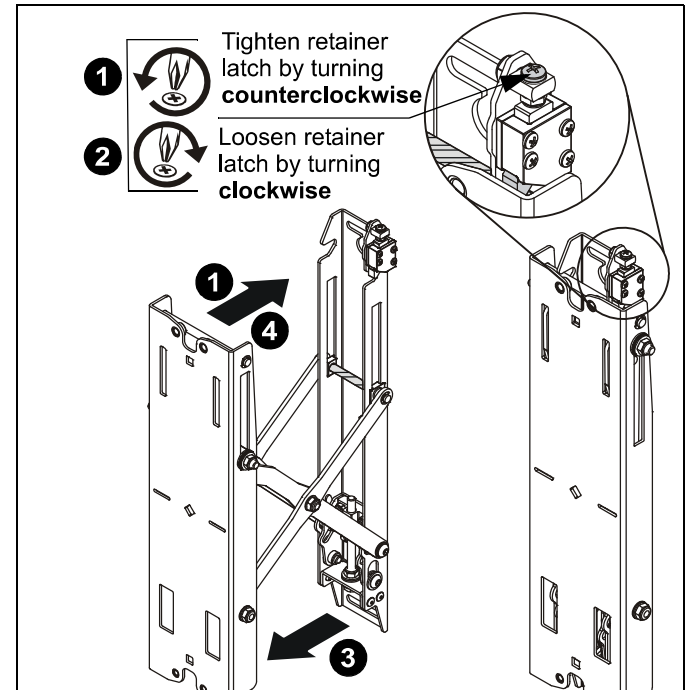


Figure 12

Moving Mount to Service Position

2. Loosen the retainer latch by turning screw **clockwise**. (See Figure 12)
3. Pull mount out from wall.
4. Return mount towards wall after service is complete.

Adjusting Mount Against Wall

IMPORTANT ! : Carefully adjust the mount plumb evenly on both sides to avoid placing too much stress on the screen.

5. Adjust plumb of mount by turning the adjustment nut on the FCAXV1U. (See Figure 13)

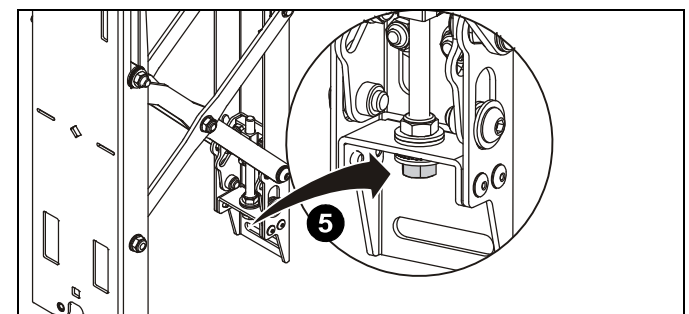


Figure 13

The logo for CHIEF, featuring a stylized 'C' icon to the left of the word 'CHIEF' in a bold, sans-serif font.

A brand of  **legrand**

8800-003218 Rev00
©2020 Legrand | AV
www.legrandav.com
09/2020

USA/International	A 6436 City West Parkway, Eden Prairie, MN 55344
	P 800.582.6480 / 952.225.6000
	F 877.894.6918 / 952.894.6918
Europe	A Franklinstraat 14, 6003 DK Weert, Netherlands
	P +31 (0) 495 580 852
	F +31 (0) 495 580 845
Asia Pacific	A Office No. 918 on 9/F, Shatin Galleria 18-24 Shan Mei Street Fotan, Shatin, Hong Kong
	P 852 2145 4099
	F 852 2145 4477

