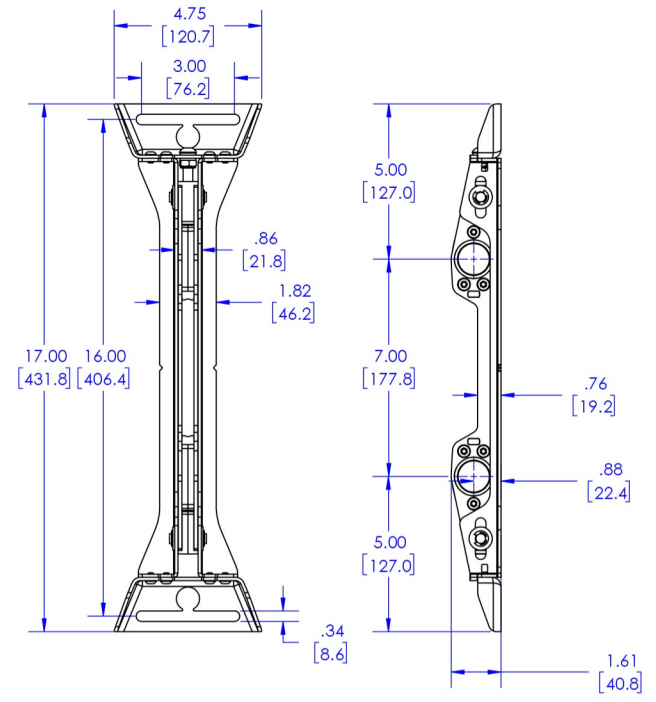
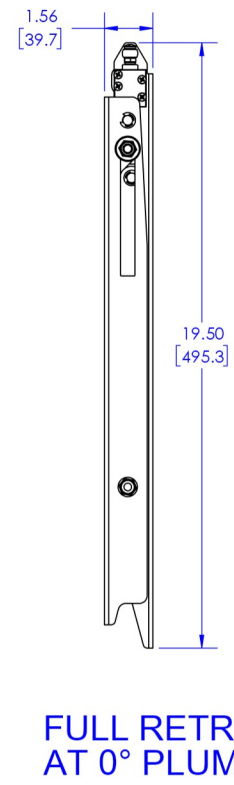
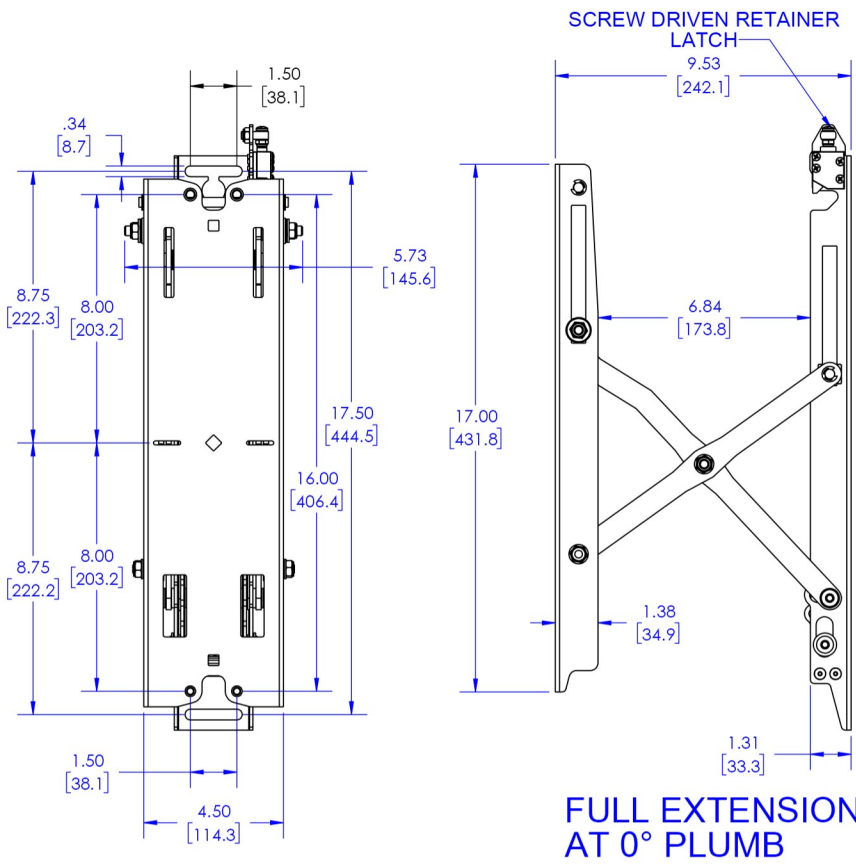


FCAXV1U CONTAINS THREE SCISSORS ASSEMBLIES AND ONE FUSION WALL ASSEMBLY



THE INFORMATION AND DESIGNS CONTAINED IN THIS DRAWING ARE CONFIDENTIAL AND THE PROPRIETARY PROPERTY OF LEGRAND | AV. NEITHER THIS DESIGN NOR ANY INFORMATION CONTAINED IN THIS DRAWING MAY BE REPRODUCED OR DISCLOSED TO OTHERS WITHOUT THE EXPRESS WRITTEN CONSENT OF LEGRAND | AV.

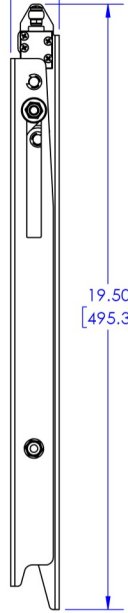
CAD GENERATED DRAWING. DO NOT MANUALLY UPDATE.				6436 CITY WEST PKWY EDEN PRAIRIE, MN, 55344 PHONE: 866-977-3901 FAX: 877-394-6918	
DRAWN BY	MJS	3/27/2020			
ENG APPROVAL			DESCRIPTION		
MFG APPROVAL			FCAXV1U FUSION XL PULL OUT ACCS		
QA APPROVAL			MODEL NO.		
			FCAXV1U		
SHEET 1 OF 5		SCALE 1:4	SIZE B	DWG. NO. TECH-001055	REV. 01

.5°



MAX DOWN PLUMB

1.56
[39.7]



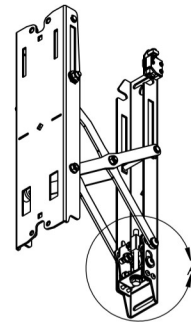
PLUMB AT 0°

19.50
[495.3]

2°



MAX UP PLUMB



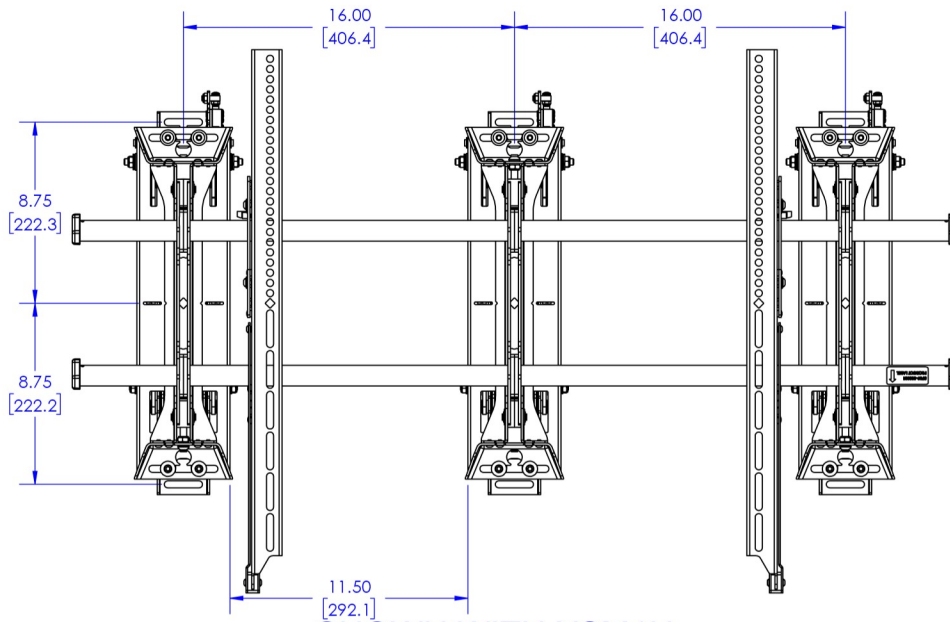
PLUMB ADJUST

DETAIL A
SCALE 1 : 2

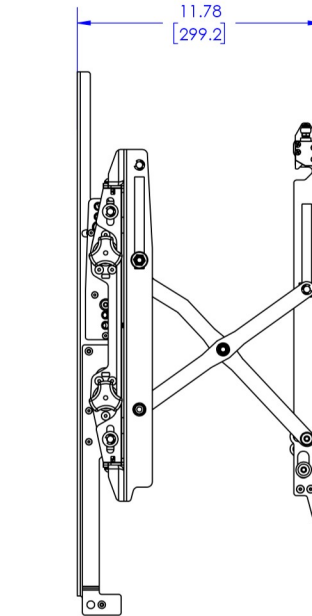
THE INFORMATION AND DESIGNS CONTAINED IN THIS DRAWING ARE CONFIDENTIAL AND THE PROPRIETARY PROPERTY OF LEGRAND | AV. NEITHER THIS DESIGN NOR ANY INFORMATION CONTAINED IN THIS DRAWING MAY BE REPRODUCED OR DISCLOSED TO OTHERS WITHOUT THE EXPRESS WRITTEN CONSENT OF LEGRAND | AV.

CAD GENERATED DRAWING. DO NOT MANUALLY UPDATE.			6436 CITY WEST PKWY EDEN PRAIRIE, MN 55344 PHONE: 866-977-3901 FAX: 877-394-6918
DRAWN BY	MJS 3/27/2020		
ENG APPROVAL		DESCRIPTION	
MFG APPROVAL		FCAXV1U FUSION XL PULL OUT ACCS	
QA APPROVAL		MODEL NO.	
		FCAXV1U	
SHEET 2 OF 5		SCALE	SIZE DWG. NO.
		1:4	B TECH-001055
			REV.
			01

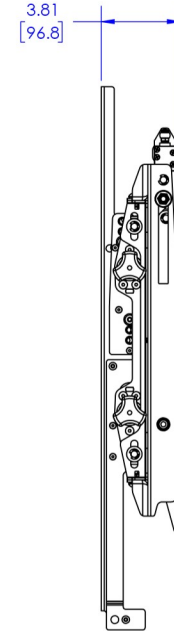
SHOWN WITH LATERAL SHIFT
ON CENTER



SHOWN WITH XSM1U
(SOLD SEPARATELY)



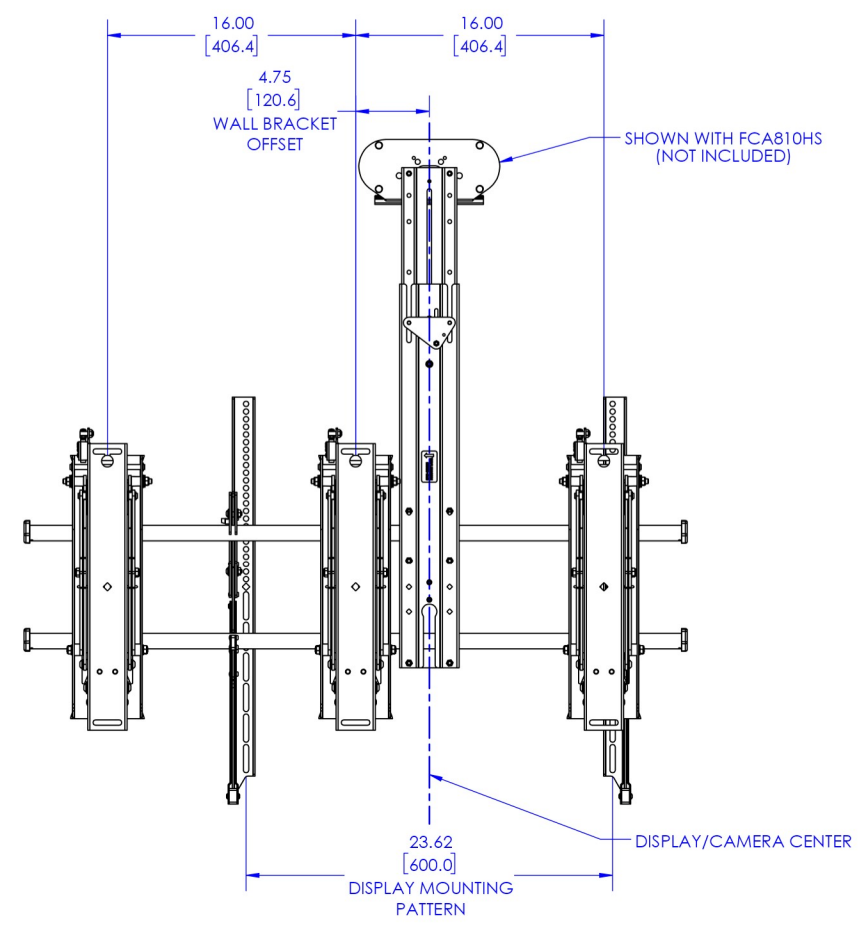
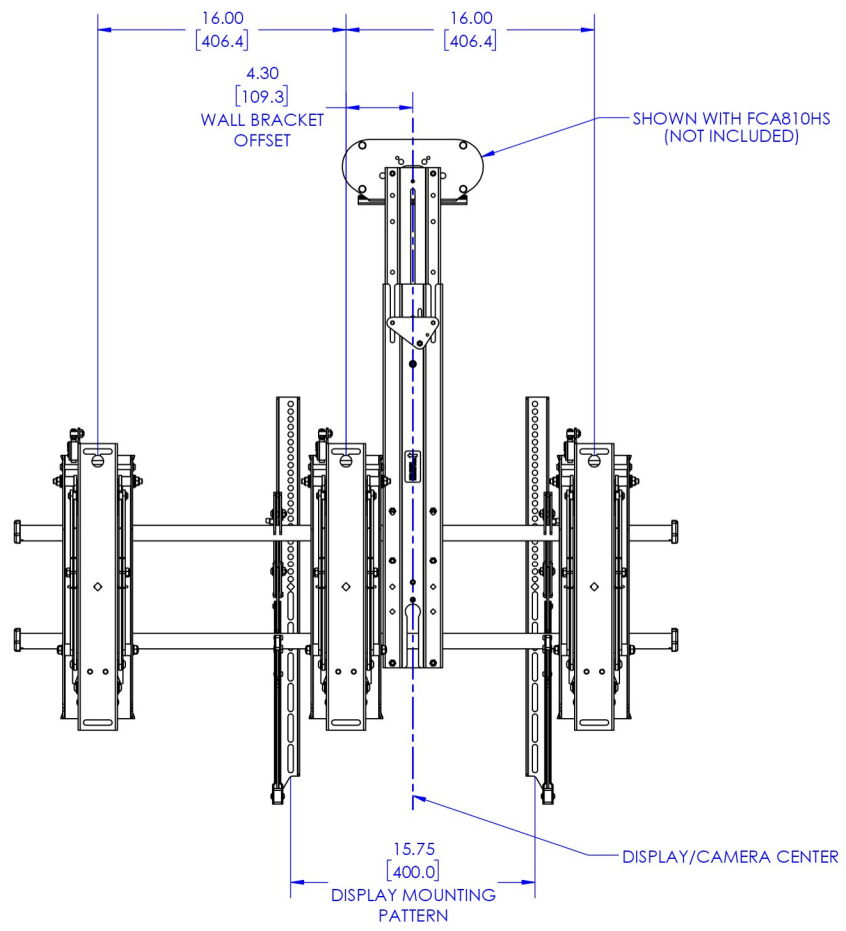
FULL EXTENSION
AT 0° PLUMB
WITH XSM1U
(SOLD SEPARATELY)



FULL RETRACTION
AT 0° PLUMB
WITH XSM1U
(SOLD SEPARATELY)

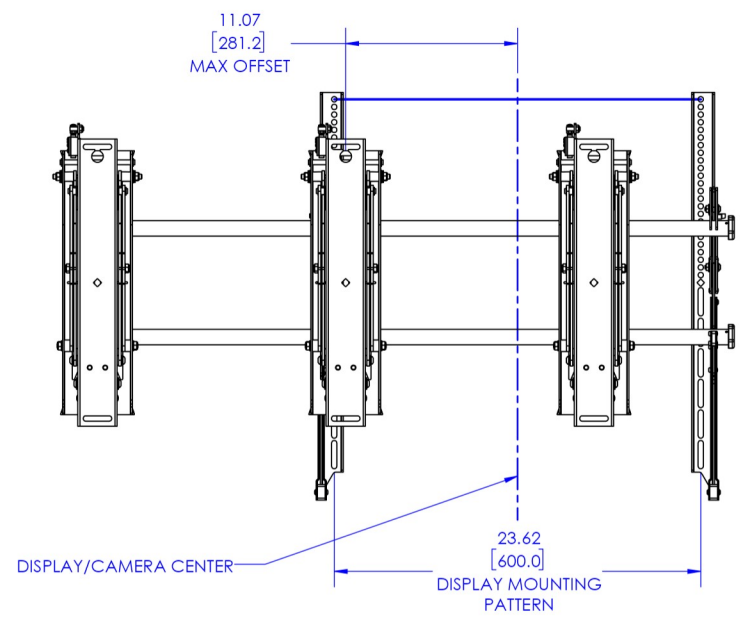
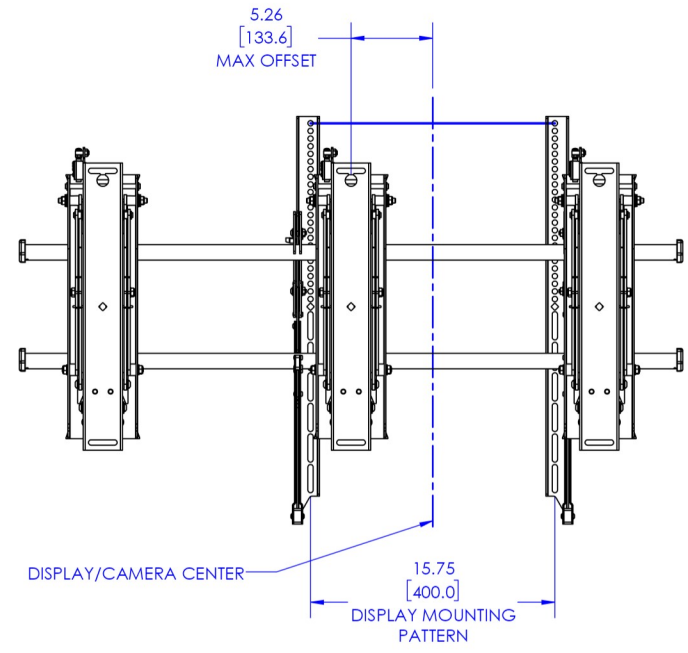
THE INFORMATION AND DESIGNS CONTAINED IN THIS DRAWING ARE CONFIDENTIAL AND THE PROPRIETARY PROPERTY OF LEGRAND | AV. NEITHER THIS DESIGN NOR ANY INFORMATION CONTAINED IN THIS DRAWING MAY BE REPRODUCED OR DISCLOSED TO OTHERS WITHOUT THE EXPRESS WRITTEN CONSENT OF LEGRAND | AV.

CAD GENERATED DRAWING. DO NOT MANUALLY UPDATE.		 6436 CITY WEST PKWY EDEN PRAIRIE, MN, 55344 PHONE: 866-977-3901 FAX: 877-594-6918
DRAWN BY	MJS 3/27/2020	
ENG APPROVAL		DESCRIPTION
MFG APPROVAL		FCAXV1U FUSION XL PULL OUT ACCS
QA APPROVAL		MODEL NO.
		FCAXV1U
SHEET 3 OF 5	SCALE 1:6	SIZE DWG. NO.
		B TECH-001055
		REV.
		01



THE INFORMATION AND DESIGNS CONTAINED IN THIS DRAWING ARE CONFIDENTIAL AND THE PROPRIETARY PROPERTY OF LEGRAND | AV. NEITHER THIS DESIGN NOR ANY INFORMATION CONTAINED IN THIS DRAWING MAY BE REPRODUCED OR DISCLOSED TO OTHERS WITHOUT THE EXPRESS WRITTEN CONSENT OF LEGRAND | AV.

CAD GENERATED DRAWING. DO NOT MANUALLY UPDATE.			 6436 CITY WEST PKWY EDEN PRAIRIE, MN 55344 PHONE: 866-977-3901 FAX: 877-824-6918	
DRAWN BY	MJS	3/27/2020		
ENG APPROVAL			DESCRIPTION	
MFG APPROVAL			FCAXV1U FUSION XL PULL OUT ACCS	
QA APPROVAL			MODEL NO.	
SHEET 4 OF 5		SCALE	SIZE DWG. NO.	REV.
		1:8	B TECH-001055	01



THE INFORMATION AND DESIGNS CONTAINED IN THIS DRAWING ARE CONFIDENTIAL AND THE PROPRIETARY PROPERTY OF LEGRAND | AV. NEITHER THIS DESIGN NOR ANY INFORMATION CONTAINED IN THIS DRAWING MAY BE REPRODUCED OR DISCLOSED TO OTHERS WITHOUT THE EXPRESS WRITTEN CONSENT OF LEGRAND | AV.

CAD GENERATED DRAWING. DO NOT MANUALLY UPDATE.			 6436 CITY WEST PKWY EDEN PRAIRIE, MN 55344 PHONE: 866-977-3501 FAX: 877-894-6918	
DRAWN BY	MJS	3/27/2020		
ENG APPROVAL			DESCRIPTION	
MFG APPROVAL			FCAXV1U FUSION XL PULL OUT ACCS	
QA APPROVAL			MODEL NO.	
			FCAXV1U	
SHEET 5 OF 5	SCALE 1:8	SIZE B	DWG. NO. TECH-001055	REV. 01