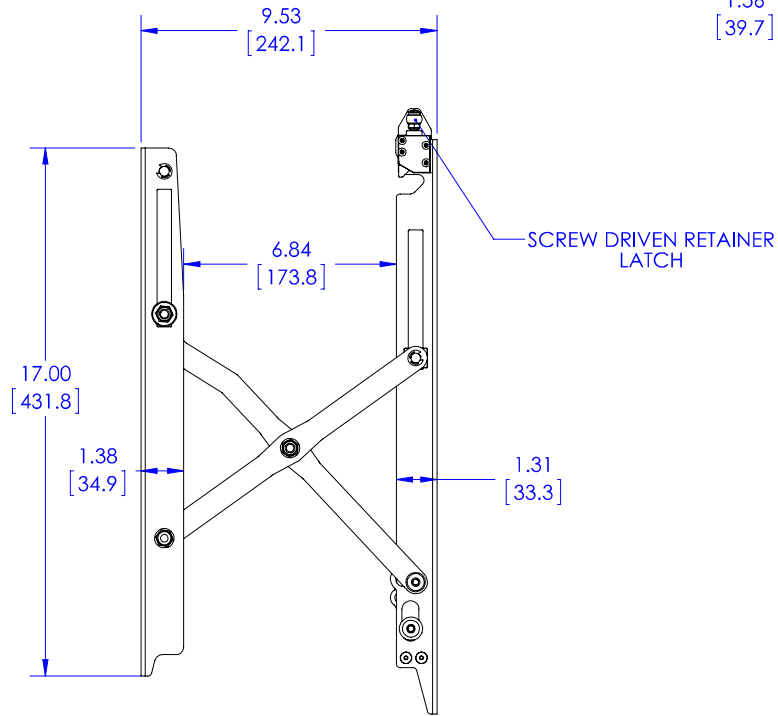
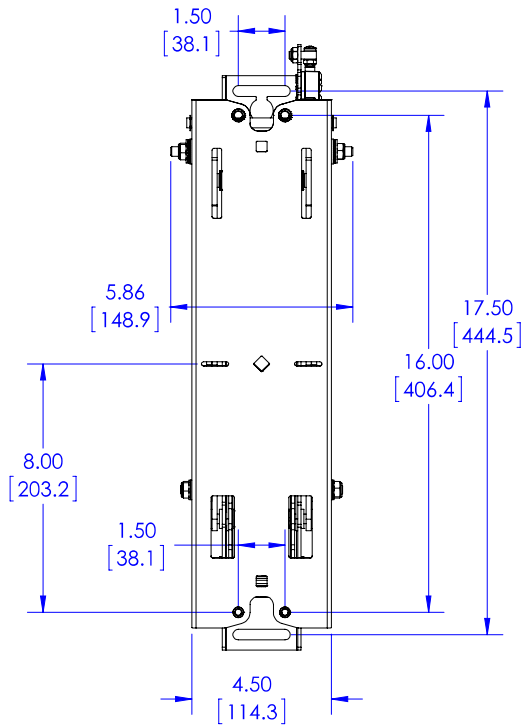
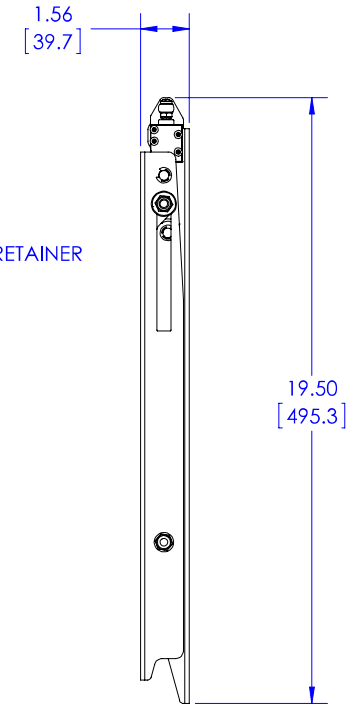


FCAV1U INCLUDES TWO ASSEMBLIES



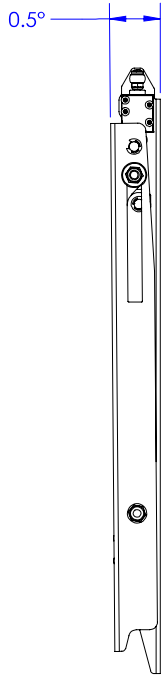
FULL EXTENSION AT 0° PLUMB



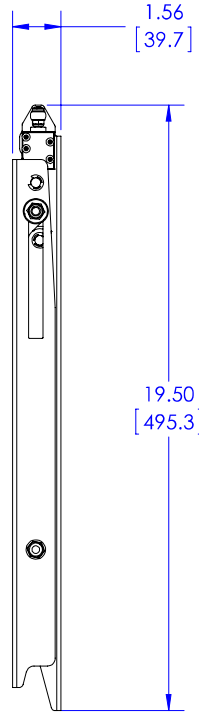
FULL RETRACTION AT 0° PLUMB

THE INFORMATION AND DESIGNS CONTAINED IN THIS DRAWING ARE CONFIDENTIAL AND THE PROPRIETARY PROPERTY OF MILESTONE AV TECHNOLOGIES NEITHER THIS DESIGN NOR ANY INFORMATION CONTAINED IN THIS DRAWING MAY BE REPRODUCED OR DISCLOSED TO OTHERS WITHOUT THE EXPRESS WRITTEN CONSENT OF MILESTONE AV TECHNOLOGIES.

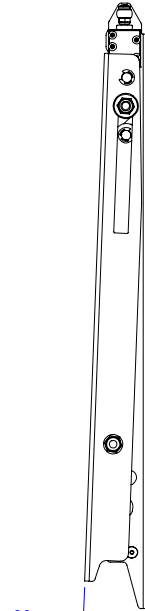
CAD GENERATED DRAWING. DO NOT MANUALLY UPDATE.				6436 CITY WEST PKWY EDEN PRAIRIE, MN, 55344 PHONE: 866-977-3901 FAX: 877-894-6918	
DRAWN BY	JAB	7/22/2014			
ENG APPROVAL			DESCRIPTION		
MFG APPROVAL			FUSION MOUNT PULLOUT ACCESSORY		
QA APPROVAL			MODEL NO.		
			FCAV1U		
SHEET 1 OF 3		SCALE 1:8	SFE DWG. NO. B	TECH-000708	REV. 00



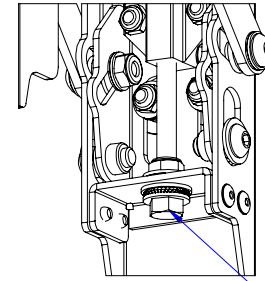
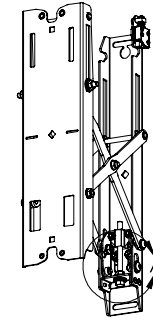
**MAX DOWN
PLUMB**



**PLUMB
AT 0°**



**MAX UP
PLUMB**



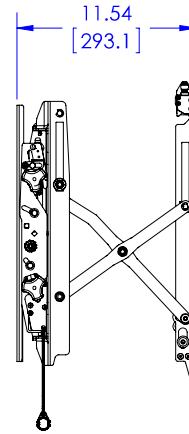
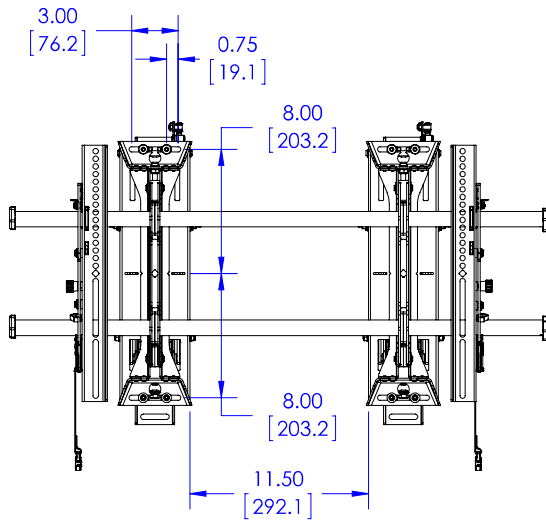
**DETAIL A
SCALE 1:2**

PLUMB ADJUST

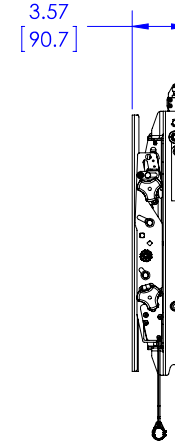
THE INFORMATION AND DESIGNS CONTAINED IN THIS DRAWING ARE CONFIDENTIAL AND THE PROPRIETARY PROPERTY OF MILESTONE AV TECHNOLOGIES NEITHER THIS DESIGN NOR ANY INFORMATION CONTAINED IN THIS DRAWING MAY BE REPRODUCED OR DISCLOSED TO OTHERS WITHOUT THE EXPRESS WRITTEN CONSENT OF MILESTONE AV TECHNOLOGIES.

CAD GENERATED DRAWING. DO NOT MANUALLY UPDATE.			6436 CITY WEST PKWY EDEN PRAIRIE, MN, 55344 PHONE: 866-977-3901 FAX: 877-894-6918	
DRAWN BY	JAB 7/22/2014		DESCRIPTION FUSION MOUNT PULLOUT ACCESSORY	
ENG APPROVAL		MODEL NO. FCAV1U		
MFG APPROVAL		SHEET 2 OF 3		SCALE 1:8
QA APPROVAL		SFE	DWG. NO. B TECH-000708	REV. 00

SHOWN WITH LATERAL SHIFT ON CENTER



FULL EXTENSION AT 0° PLUMB WITH LTM1U (SOLD SEPARATELY)



FULL RETRACTION AT 0° PLUMB WITH LTM1U (SOLD SEPARATELY)

THE INFORMATION AND DESIGNS CONTAINED IN THIS DRAWING ARE CONFIDENTIAL AND THE PROPRIETARY PROPERTY OF MILESTONE AV TECHNOLOGIES NEITHER THIS DESIGN NOR ANY INFORMATION CONTAINED IN THIS DRAWING MAY BE REPRODUCED OR DISCLOSED TO OTHERS WITHOUT THE EXPRESS WRITTEN CONSENT OF MILESTONE AV TECHNOLOGIES.

CAD GENERATED DRAWING. DO NOT MANUALLY UPDATE.		<p>6436 CITY WEST PKWY EDEN PRAIRIE, MN, 55344 PHONE: 866-977-3901 FAX: 877-894-6918</p>
DRAWN BY	JAB 7/22/2014	
ENG APPROVAL		DESCRIPTION
MFG APPROVAL		FUSION MOUNT PULLOUT ACCESSORY
QA APPROVAL		MODEL NO.
		FCAV1U
SHEET 3 OF 3	SCALE 1:8	SFE DWG. NO. B TECH-000708
		REV. 00