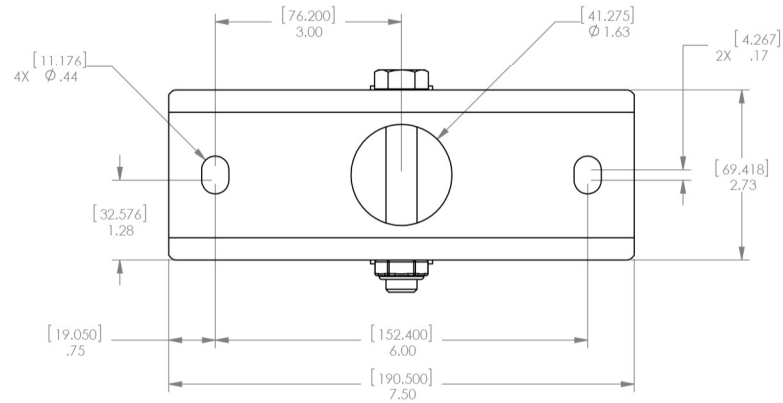
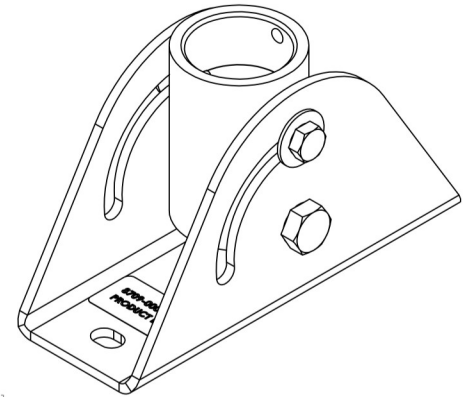
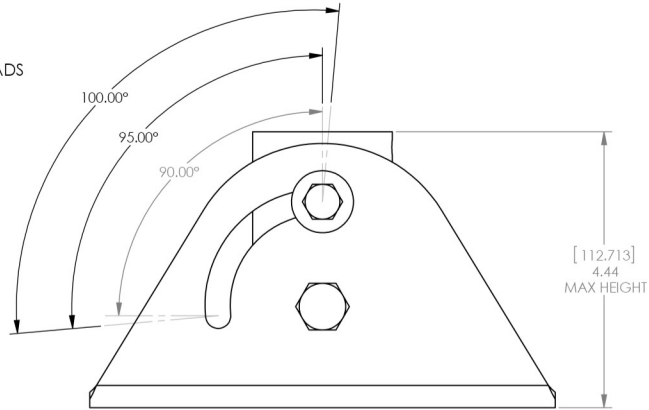
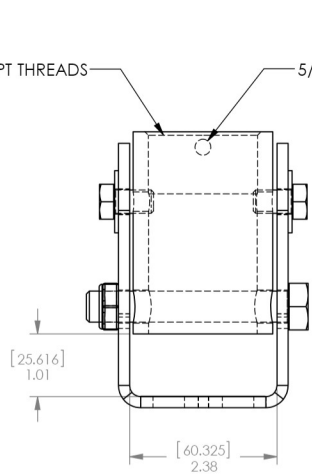


1 1/2" NPT THREADS  
5/16 - 18 UNC THREADS



CHIEF MANUFACTURING INC.

MOUNT ORDER NUMBER IS CMA395  
PHONE: 1-800-582-6480

THE INFORMATION AND DESIGNS CONTAINED IN THIS DRAWING ARE CONFIDENTIAL AND THE PROPRIETARY PROPERTY OF MILESTONE AV TECHNOLOGIES. NEITHER THIS DESIGN NOR ANY INFORMATION CONTAINED IN THIS DRAWING MAY BE REPRODUCED OR DISCLOSED TO OTHERS WITHOUT THE EXPRESS WRITTEN CONSENT OF MILESTONE AV TECHNOLOGIES.

MAX. WEIGHT 500 LBS.

**CHIEF** 8401 EAGLE CREEK PKY  
SAVAGE, MN 55378  
PHONE: 952-894-6280  
FAX: 877-894-6918

TITLE  
CUSTOMER PRINT,  
ASSEMBLY, ANGLED CEILING  
ADAPTER CMA395

SIZE DWG. NO.  
B BRACKET ORDER # CMA395