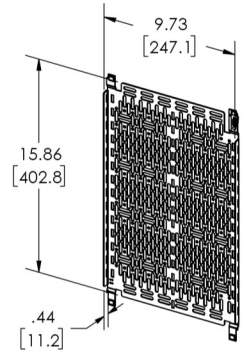
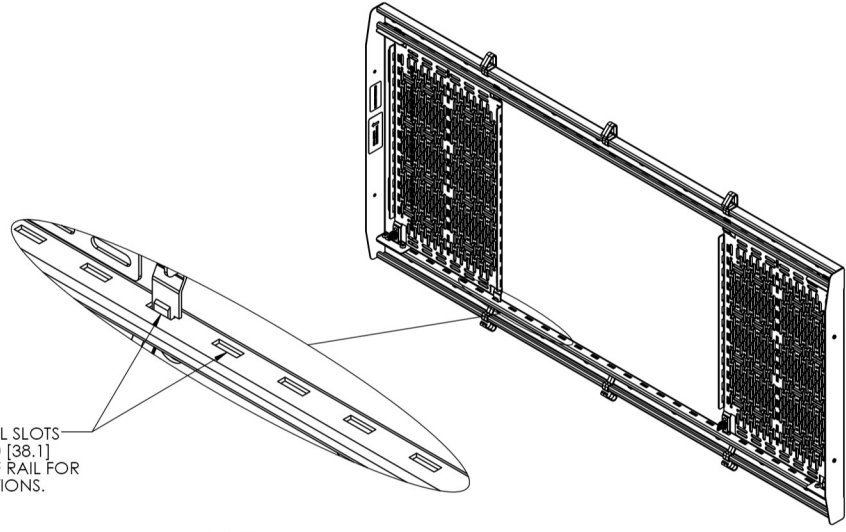
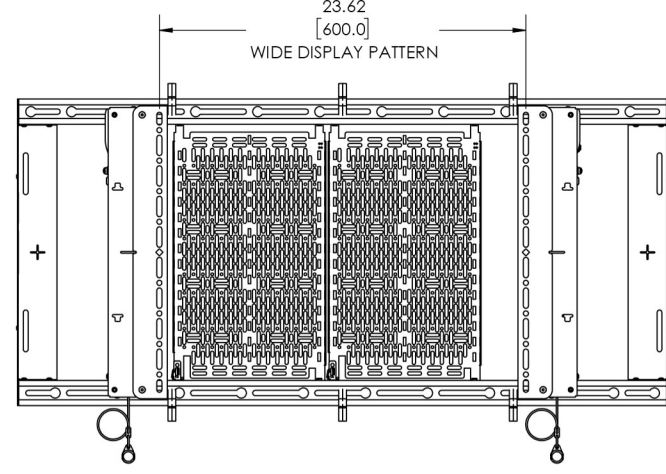
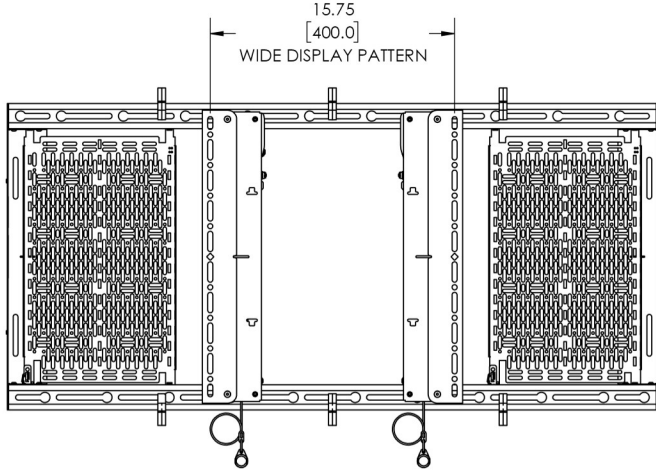


THE INFORMATION AND DESIGNS CONTAINED IN THIS DRAWING ARE CONFIDENTIAL AND THE PROPRIETARY PROPERTY OF LEGRAND | AV. NEITHER THIS DESIGN NOR ANY INFORMATION CONTAINED IN THIS DRAWING MAY BE REPRODUCED OR DISCLOSED TO OTHERS WITHOUT THE EXPRESS WRITTEN CONSENT OF LEGRAND | AV.

CAD GENERATED DRAWING. DO NOT MANUALLY UPDATE.		 6436 CITY WEST PKWY EDEN PRAIRIE, MN, 55344 PHONE: 866-977-3901 FAX: 877-894-6918
DRAWN BY	MJS 9/29/2022	
ENG APPROVAL		DESCRIPTION TEMPO FP WALL MOUNT SYSTEM
MFG APPROVAL		MODEL NO. AS3LD
QA APPROVAL		SCALE 1:8
SHEET 1 OF 5		SIZE DWG. NO. B TECH-001251
		REV. 03

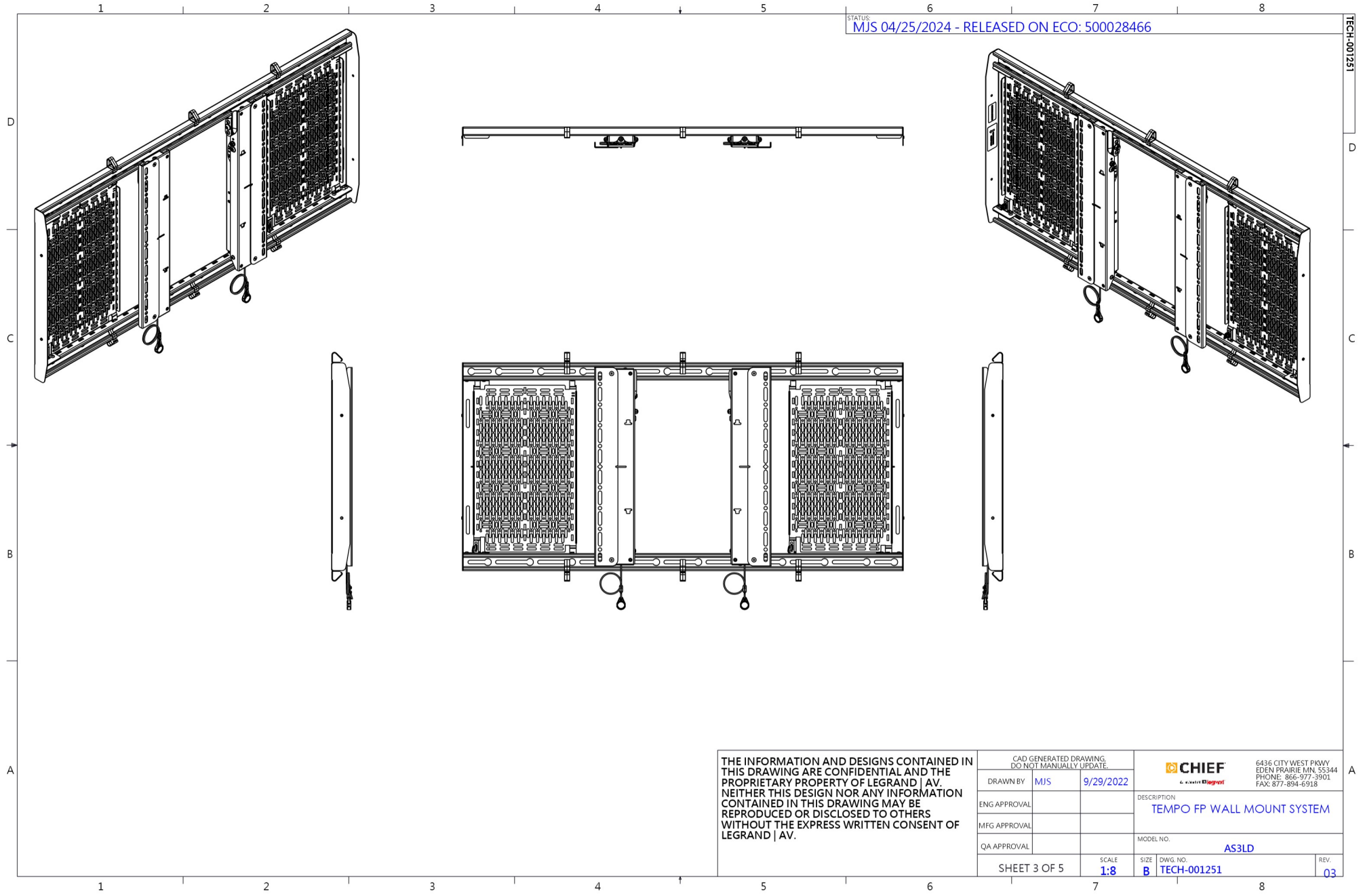


LEVER LOCK PANEL INSTALL SLOTS ARE PROVIDED EVERY 1.50 [38.1] ALONG ENTIRE LENGTH OF RAIL FOR FLEXIBLE POSITIONING OPTIONS.


DETAIL E
SCALE 1 : 2

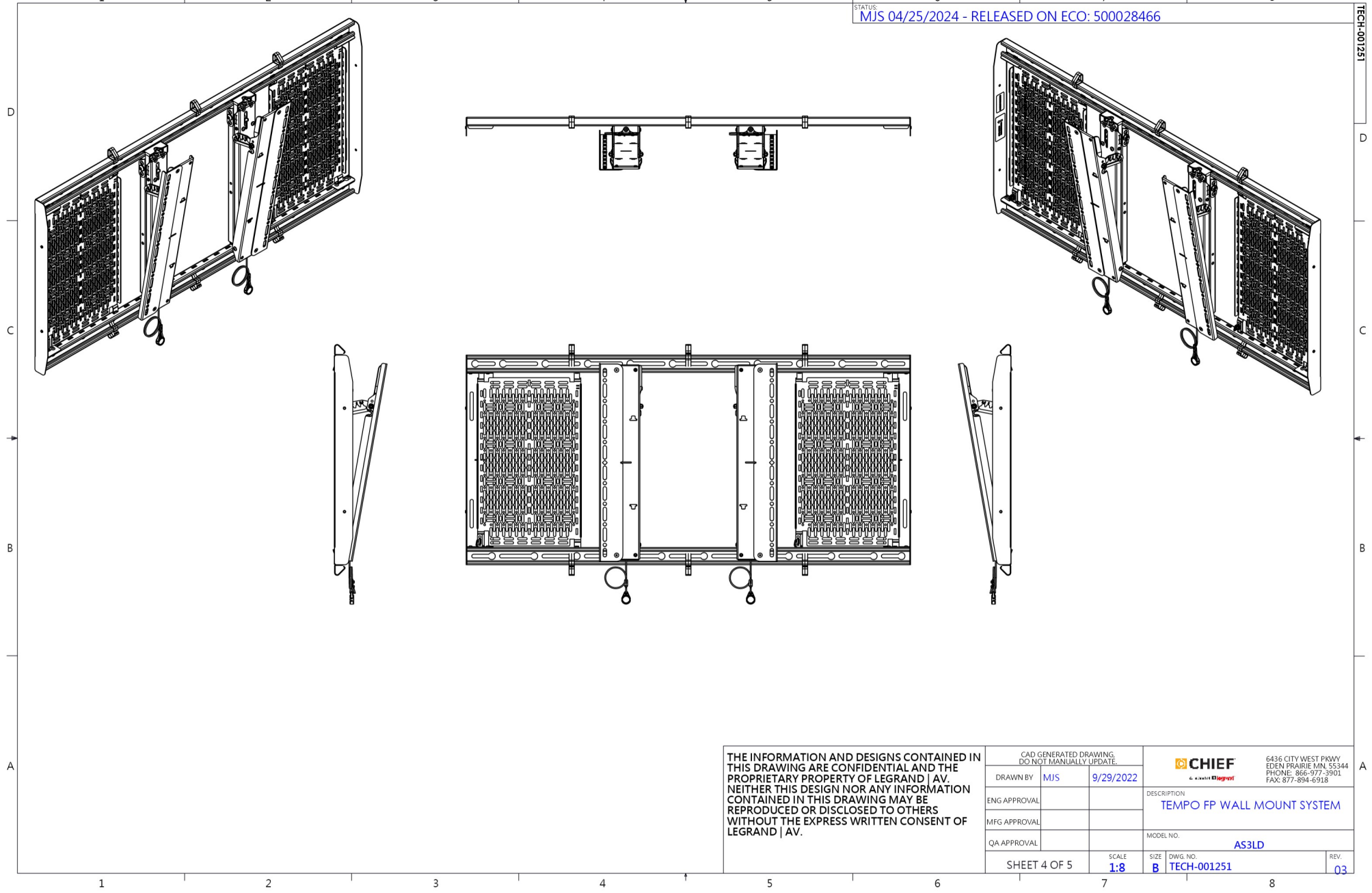
THE INFORMATION AND DESIGNS CONTAINED IN THIS DRAWING ARE CONFIDENTIAL AND THE PROPRIETARY PROPERTY OF LEGRAND | AV. NEITHER THIS DESIGN NOR ANY INFORMATION CONTAINED IN THIS DRAWING MAY BE REPRODUCED OR DISCLOSED TO OTHERS WITHOUT THE EXPRESS WRITTEN CONSENT OF LEGRAND | AV.

CAD GENERATED DRAWING. DO NOT MANUALLY UPDATE.			 6436 CITY WEST PKWY EDEN PRAIRIE, MN 55344 PHONE: 866-977-3901 FAX: 877-894-6918	
DRAWN BY	MJS	9/29/2022		
ENG APPROVAL			DESCRIPTION: TEMPO FP WALL MOUNT SYSTEM	
MFG APPROVAL			MODEL NO. AS3LD	
QA APPROVAL			SCALE 1:8	
SHEET 2 OF 5		SIZE B	DWG. NO. TECH-001251	REV. 03



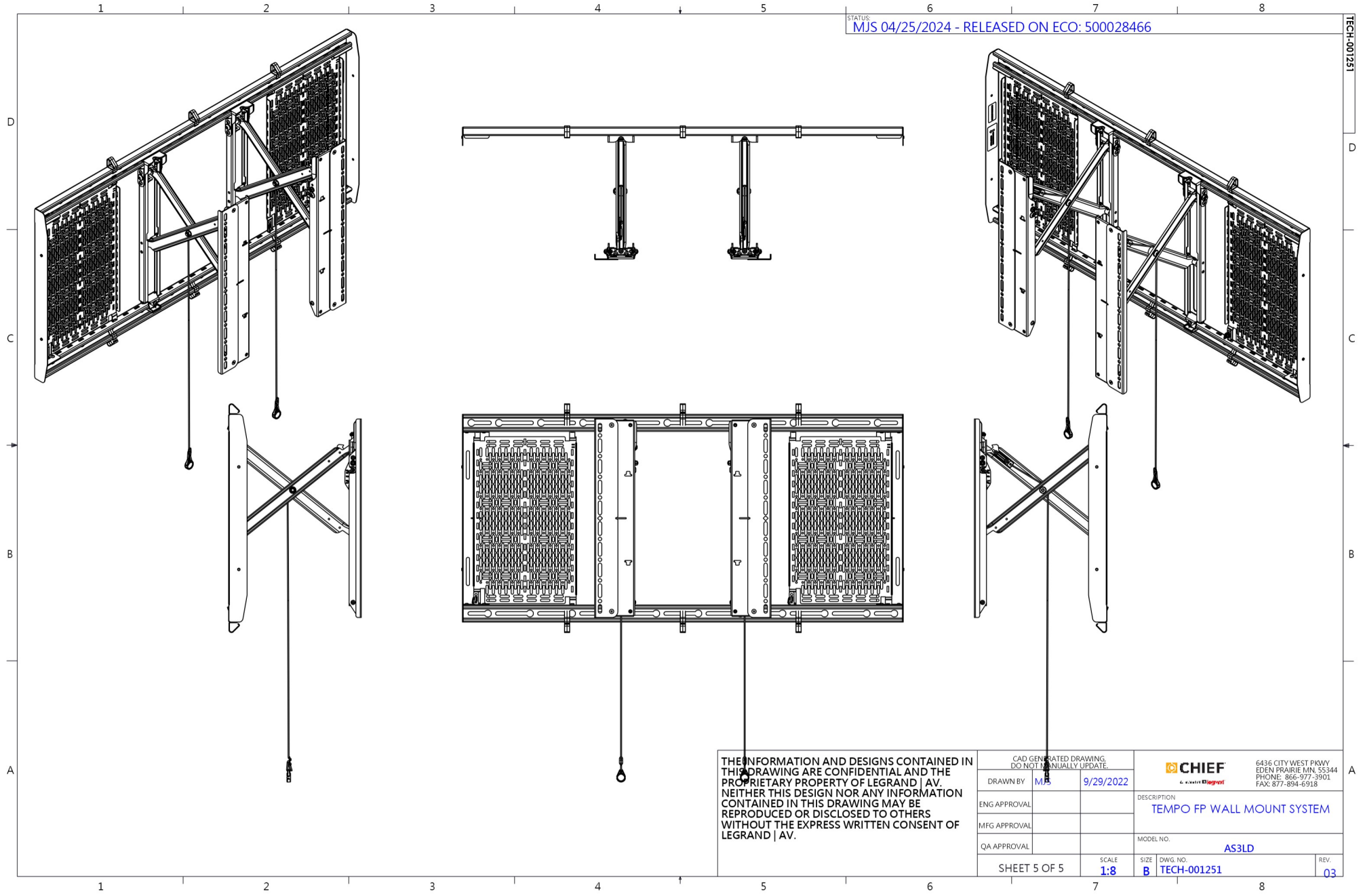
THE INFORMATION AND DESIGNS CONTAINED IN THIS DRAWING ARE CONFIDENTIAL AND THE PROPRIETARY PROPERTY OF LEGRAND | AV. NEITHER THIS DESIGN NOR ANY INFORMATION CONTAINED IN THIS DRAWING MAY BE REPRODUCED OR DISCLOSED TO OTHERS WITHOUT THE EXPRESS WRITTEN CONSENT OF LEGRAND | AV.

CAD GENERATED DRAWING. DO NOT MANUALLY UPDATE.			 6436 CITY WEST PKWY EDEN PRAIRIE, MN 55344 PHONE: 866-977-3901 FAX: 877-894-6918	
DRAWN BY	MJS	9/29/2022		
ENG APPROVAL			DESCRIPTION: TEMPO FP WALL MOUNT SYSTEM	
MFG APPROVAL			MODEL NO. AS3LD	
QA APPROVAL			SCALE: 1:8	
SHEET 3 OF 5		SIZE: B	DWG. NO.: TECH-001251	REV. 03



THE INFORMATION AND DESIGNS CONTAINED IN THIS DRAWING ARE CONFIDENTIAL AND THE PROPRIETARY PROPERTY OF LEGRAND | AV. NEITHER THIS DESIGN NOR ANY INFORMATION CONTAINED IN THIS DRAWING MAY BE REPRODUCED OR DISCLOSED TO OTHERS WITHOUT THE EXPRESS WRITTEN CONSENT OF LEGRAND | AV.

CAD GENERATED DRAWING. DO NOT MANUALLY UPDATE.		 6436 CITY WEST PKWY EDEN PRAIRIE, MN 55344 PHONE: 866-977-3901 FAX: 877-894-6918
DRAWN BY	MJS 9/29/2022	
ENG APPROVAL		DESCRIPTION: TEMPO FP WALL MOUNT SYSTEM
MFG APPROVAL		MODEL NO. AS3LD
QA APPROVAL		SCALE: 1:8
SHEET 4 OF 5		SIZE: B
		DWG. NO.: TECH-001251
		REV. 03



THE INFORMATION AND DESIGNS CONTAINED IN THIS DRAWING ARE CONFIDENTIAL AND THE PROPRIETARY PROPERTY OF LEGRAND | AV. NEITHER THIS DESIGN NOR ANY INFORMATION CONTAINED IN THIS DRAWING MAY BE REPRODUCED OR DISCLOSED TO OTHERS WITHOUT THE EXPRESS WRITTEN CONSENT OF LEGRAND | AV.

CAD GENERATED DRAWING. DO NOT MANUALLY UPDATE.		 6436 CITY WEST PKWY EDEN PRAIRIE, MN 55344 PHONE: 866-977-3901 FAX: 877-894-6918
DRAWN BY	MB 9/29/2022	
ENG APPROVAL		DESCRIPTION: TEMPO FP WALL MOUNT SYSTEM
MFG APPROVAL		MODEL NO. AS3LD
QA APPROVAL		SCALE: 1:8
SHEET 5 OF 5		SIZE: B DWG. NO.: TECH-001251
		REV. 03