

## CBS(B)

### Inclined Ceiling Mount Bracket for Dome Camera



- Aluminum Alloy Material with Surface Spray Treatment
- Waterproof Design
- Black-Finish Model Available (CBSB)

### Specifications

	CBS	CBSB
Appearance	Hikvision white	Hikvision black
Material	Aluminum Alloy	
Dimension	Ø137 mm × 53.4 × 164.8 mm (Ø5.39" × 2.10" × 6.49")	
Weight	515 g (1.14 lbs)	

**NOTES:** Install the mount on a flat wall.

Waterproof rubber is required for outdoor installation.

The wall must be capable of supporting over three times as much as the total weight of the camera and mount.

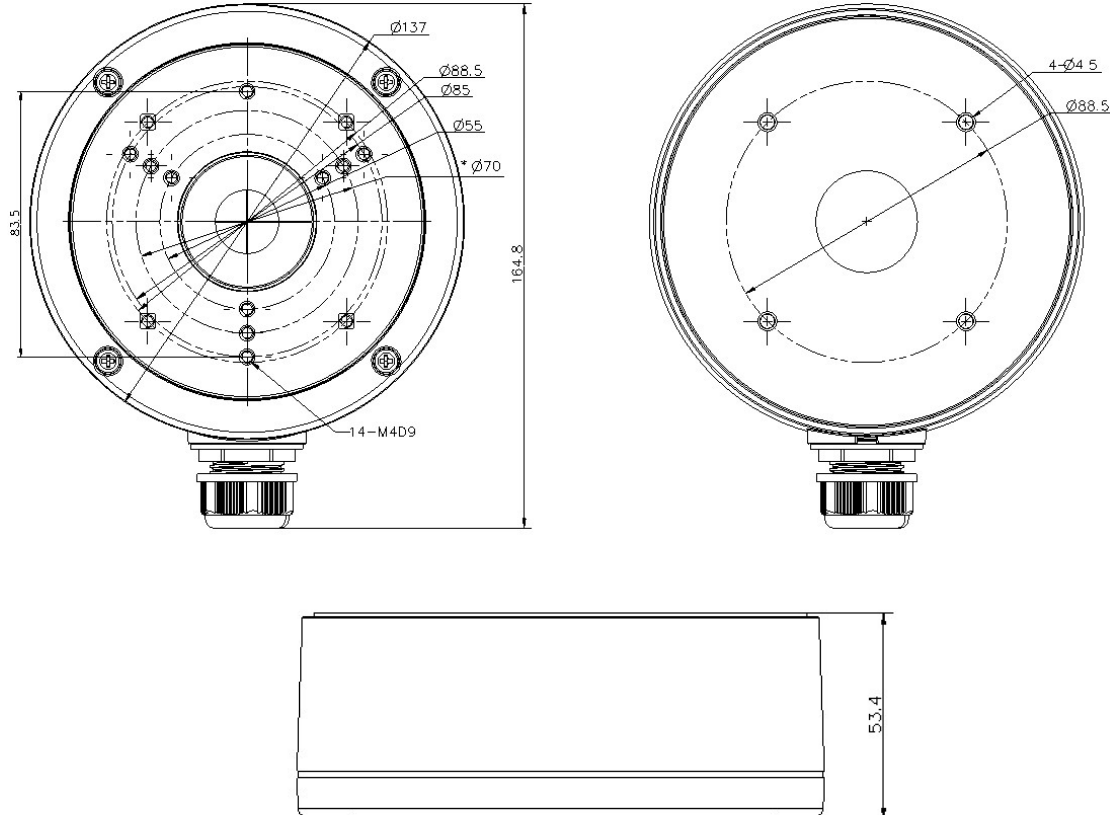
Maximum load capacity of the mount is 4.5 kg.

### Order Model

CBS

CBSB

### Dimensions



Units: mm