

PULSE FLEX 2i

Portable Wireless
Streaming Speaker



SIZE-DEFYING SOUND. The most flexible member of the PULSE family, the PULSE FLEX 2i delivers the best of performance and true wireless portability. An upgraded bass driver adds some serious punch to the output of this small but mighty speaker, and our advanced DirectDigital™ amp delivers deep, detailed sound wherever you listen.

RULE YOUR SONIC DOMAIN. Now with AirPlay 2 built-in and easy integration into the Apple ecosystem, the PULSE FLEX 2i is more flexible than ever, while a new dual band WiFi engine keeps connectivity rock-solid, especially in crowded airspace.

SURROUND YOURSELF WITH SOUND. Group the PULSE FLEX 2i with other Bluesound players to play music across different rooms in perfect sync, or combine a pair of PULSE FLEX 2i speakers with the PULSE SOUNDBAR 2i and SUB to create a completely immersive Dolby Digital Surround system, for every lush cinematic detail.

HIGH FIDELITY. ANYTIME. ANYWHERE. Why just be in the crowd, when you can be front row? Simply, add the battery pack for grab-and-go streaming. Take the show on the road, the party to the park and the beats to the furthest reaches of your home.

25W TOTAL SYSTEM POWER
DIGITAL AMPLIFIER
AIRPLAY 2 INTEGRATION
DUAL-BAND WIFI + ETHERNET
QUALCOMM aptX® BLUETOOTH
FLEXIBLE IN/OUTDOOR PORTABILITY
1 x 25mm (1") TWEETER
1 x 89mm (3.5") WOOFER
USB TYPE A INPUT
OPTICAL & ANALOG INPUTS
HEADPHONE OUTPUT
ASSIGNABLE HARD-BUTTON PRESETS
SEALED ENCLOSURE
RECHARGEABLE BATTERY PACK
(SOLD SEPARATELY)
BLACK OR WHITE FINISH

BLUESOUND

BLUESOUND.COM



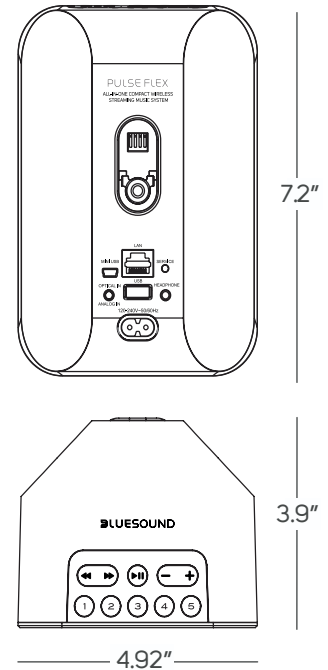
PULSE FLEX 2i Specifications

Operating System:	BluOS
Supported Operating Systems:	iOS, Android, Windows Vista, 7, 8, 10, macOS X 7-10
Supported File Formats:	MP3, AAC, WMA, WMA-L, OGG, FLAC, ALAC, WAV, AIFF, MQA
Native Sampling Rates:	32 - 192kHz
Bit Depths:	16 - 24
Music Service Integrations:	17+
3rd-Party Integrations:	AirPlay 2 Apple Wireless Accessory Configuration (WAC)
Control System Integrations:	Crestron, Control 4, RTI, ELAN, URC, Push, Lutron, iPort
Voice Control Integrations:	Supports Amazon Alexa

Features:	
Play/Pause Button:	Hard Button
Volume Control Buttons:	Hard Button
Previous/Next Track Buttons:	Hard Button
Preset Buttons:	Hard Button x 5
Processor:	ARM® Cortex™ -A9, 1 GHz
Distortion:	THD+N, 0.030%
Amplification:	Digital
Power Output:	25W total system power, bi-amplified 20W x 1 Woofer; 5W x 1 Tweeter
Speakers:	3.5" (89mm) x 1 Woofer; 1" (25mm) x 1 Woofer
Frequency Response:	45Hz - 20kHz

Connections:	
Power:	Universal bi-pin AC cord input (100-240AC)
Ethernet/LAN:	Ethernet RJ45, 100BaseT
WiFi Built In:	802.11ac, dual-band
Bluetooth:	Built In
Bluetooth Quality:	Qualcomm aptX Bluetooth 4.1
Bluetooth Connectivity:	One-Way (receive)
IR Optical Built In:	IR Sensor Built In - front panel
Optical/Analog Input:	Combo - Toslink/3.5mm
USB IN:	Type A (Fat32 Formatted)
USB:	Type B (mini) for product servicing
Headphone Output:	3.5mm Stereo

Power Consumption (Idle/Standby):	3 Watts/<0.5 Watts
Finish:	Black/White



Dimensions (Product):

125 x 183 x 100mm (W x H x D)
4.92 x 7.2 x 3.9 in (W x H x D)*

Weight: 1.23kg/2.71lb

Dimensions (Shipping, Single Unit):

183 x 183 x 230mm (W x H x D)
7.2 x 7.2 x 9.06 in (W x H x D)*

Weight: 1.95kg/4.29lb

Included Accessories:

120V AC Power Cord
230V AC Power Cord
Toslink Optical to 3.5mm Mini Adaptor
Safety/Warranty Guide
Quick Setup Guide

* Non-metric measurements are approximate.

BLUESOUND®

© Bluesound International. Bluesound, the stylized wordmark and "B" logotype, the phrase "HiFi for a wireless generation", FLEX 2i and all other Bluesound product names and taglines are trademarks or registered trademarks of Bluesound International, a division of Lenbrook Industries Limited. All other logos and services are trademarks or service marks of their respective owners. 18-022 © 08/18 Bluesound.