



PM8CX

PENDENT MOUNT SPEAKER SERIES

TECHNICAL DATA SHEET

PRODUCT SUMMARY

Model PM8CX uses the popular AtlasIED CX series coaxial driver to provide familiar response and high efficiency while retaining economy when high density speaker counts are required in page only applications.

FEATURES

- 8" 8CXT60 driver provides 90° (45° off-axis) coverage in the 2 kHz octave band.
- 70.7V taps @ 1.9, 3.8, 7.5, 15, 30, & 60 Watts plus 8 Ω direct input via concealed terminal block.
- The best solution for high ceiling application.
- Cable mounting hardware included.
- Compatible with standard 3/4" ceiling fan hardware

APPLICATIONS

The AtlasIED PM8CX includes the 8CXT60 compression driver coaxial loudspeaker which provides excellent efficiency exceeding 92 dB 1 W/1 M. The 8CXT60 also offers a desirable tighter 90° conical coverage pattern in the 2 kHz octave band for great coverage performance in ultra high mounting locations up to 30'.

Attaching the PM8CX to most overhead surfaces is a breeze. For open beam ceilings a 3 meter cable kit is included with self gripping ferrule system. If down pipe installation from hard ceiling material is required, any 3/4" ceiling fan installation kit may be utilized. These kits are readily available under the FANTEC™ brand from home improvement stores with various down pipe length options to provide installation ease regardless of ceiling angle. (Up to 45°)

Either installation solution is discreetly implemented via the PM series innovative top cover design. This "cap" includes a cable access plug that is easily removed for pipe mounting. The cover also completely conceals the speaker cable terminations and the suspension anchor points

Several packages are offered to suit various coverage pattern and installation scenarios. For low ceilings, Atlas Sound offers a discrete enclosure system containing a ultra wide coverage 4" FA series driver. For higher ceiling applications, Atlas Sound PM series answers the need for a variety of budget and performance requirements with three different 8" driver options, factory assembled into in a larger pedant style enclosure.

Available in black or white enclosure finish.

PM8CX

PENDENT MOUNT SPEAKER SERIES



TECHNICAL DATA SHEET

TECHNICAL SPECIFICATIONS

Power Rating	150 Watts @ 8 Ω
Frequency Response	55 Hz – 15 kHz (± 5 dB)
Sensitivity (1W/1M)	92 dB Average
Dispersion Angle	90°
Woofers Mag. Wt.	34 oz. (.96 Kg)
Woofers	8" Poly Cone Butyl Rubber Surround
HF Driver	Coaxially Mounted Titanium Compression Driver
Enclosure Dimensions	Diameter 12.25" (311.15 mm), Overall Height 16.62" (422.148 mm)
Enclosure Volume	1075 In ³ (17,616.1 cm ³)
Weight	20 lbs (9.07 kg)

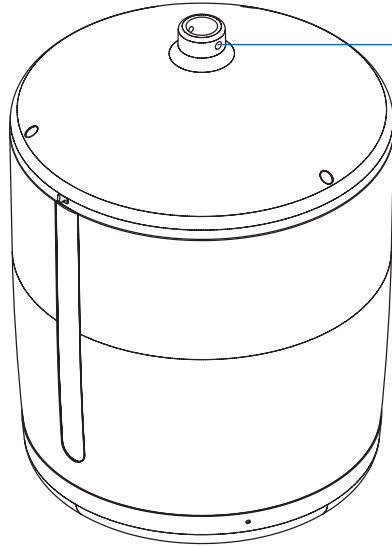
PM8CX

PENDENT MOUNT SPEAKER SERIES

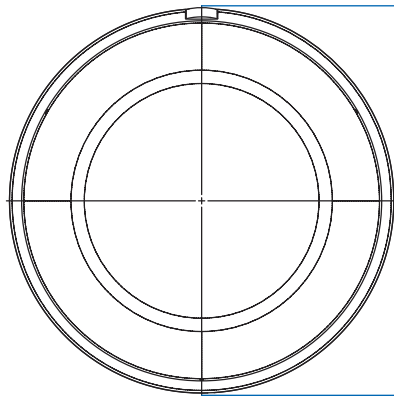


TECHNICAL DATA SHEET

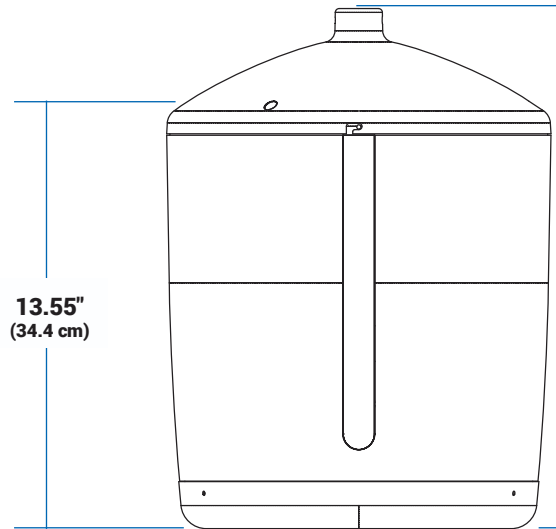
DIMENSIONAL DRAWINGS



**1/4-20 Thread Hole for Securing
Conduit Installation**



12.28"
(31.2 cm)



13.55"
(34.4 cm)

16.61"
(42.2 cm)

PM8CX

PENDENT MOUNT SPEAKER SERIES



TECHNICAL DATA SHEET

TAP TERMINAL SELECTION



PM8CX

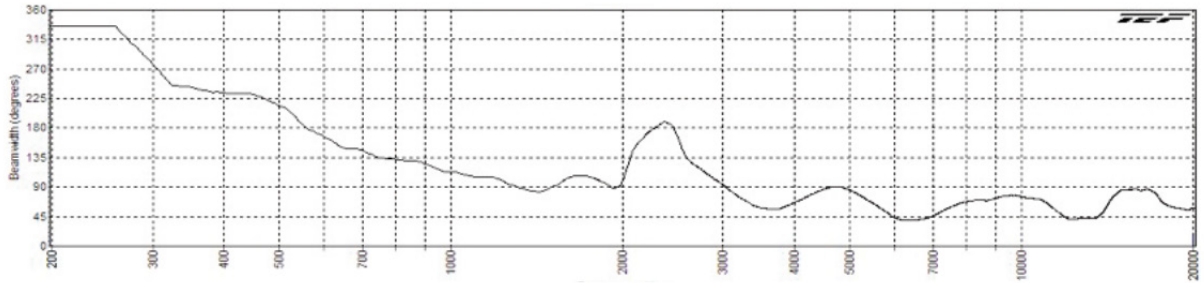
PENDENT MOUNT SPEAKER SERIES



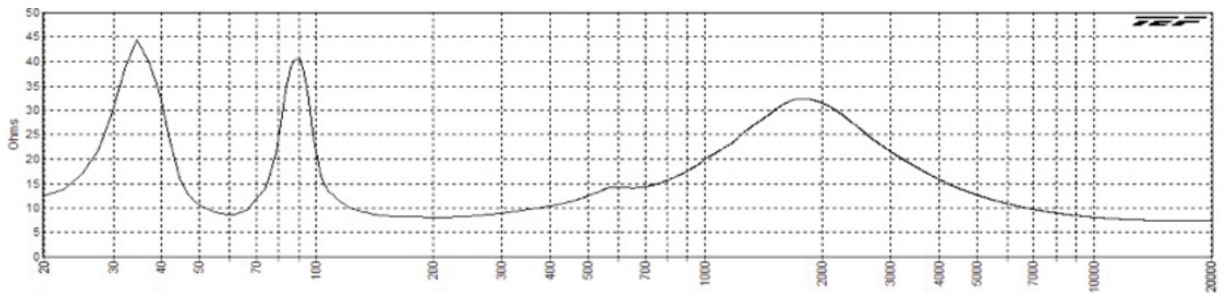
TECHNICAL DATA SHEET

PERFORMANCE MEASUREMENTS

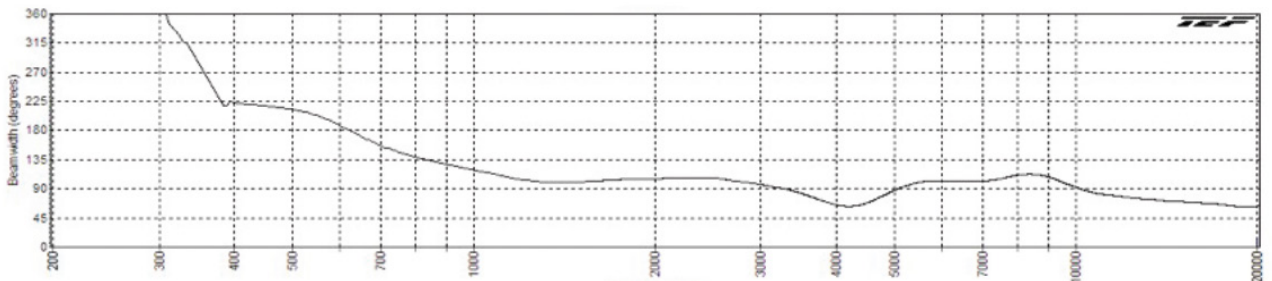
PM8CX Beamwidth



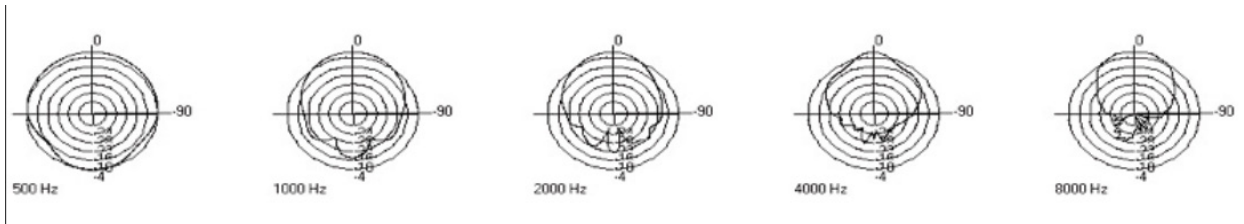
PM8CX Frequency Response



PM8CX Impedance



PM8CX Polar Charts



PM8CX

PENDENT MOUNT SPEAKER SERIES



TECHNICAL DATA SHEET

ARCHITECT & ENGINEER SPECIFICATIONS

The loudspeaker system shall consist of a two-way woofer and tweeter assembly within an environmental-resistant housing. The 150 Watts system shall have an 8.25" (310 mm) woofer constructed with a polypropylene cone and a 1" (25 mm) titanium diaphragm compression driver.

Each system shall be complete with a built-in, 60 Watts 70.7/100V transformer with taps of 1.9, 3.8, 7.5, 15, 30, & 60 Watts (70.7V) and a transformer bypass position for 8 Ω direct coupled operation on a 8 position terminal block.

The frequency response for the system shall be 60 Hz – 15 kHz (± 5 dB).

The loudspeaker shall be the Atlas Sound PM8CX.

©/2025 Atlas Sound LP. The Atlas "Circle A", Soundolier, and Atlas Sound are trademarks of Atlas Sound L.P. IED is a Registered Trademark of Innovative Electronic Designs LLC. All rights reserved. All other Trademarks are property of their respective owners. No endorsement is implied. Due to continual product development, specifications are subject to change without notice. ATSD002844 RevC 01/25