

PM4FA

Pendant Mount Speaker System



Features

- 4" FA134 Driver Provides 130° (65° Off-Axis) Coverage in the 2kHz Octave Band
- 70.7V Taps @ 1, 2, 4, 8, & 16 Watts Plus 8Ω Direct Input via Concealed Terminal Block
- Discrete, Attractive Enclosure

General Description

The AtlasIED PM4FA features the familiar response and dispersion of AtlasIED's model FA134 high performance 4" Strategy Series driver. This loudspeaker is the same FA Series device used in AtlasIED's successful model FAP42T ceiling speaker package. Mounted down-firing in an attractive enclosure, the PM4FA provides natural sounding, wide coverage for low height installations while retaining impressive full range frequency response for both music and paging applications.

Attaching a PM4FA to most over head surfaces is a breeze. For open beam ceilings a 3 meter cable kit is included with a self gripping ferrule system. If down pipe installation from hard ceiling material is required, any 3/4" ceiling fan installation kit may be utilized. These kits are readily available under the FANTEC™ brand from home improvement stores with various down pipe length options to provide installation ease regardless of ceiling angle (up to 45°).

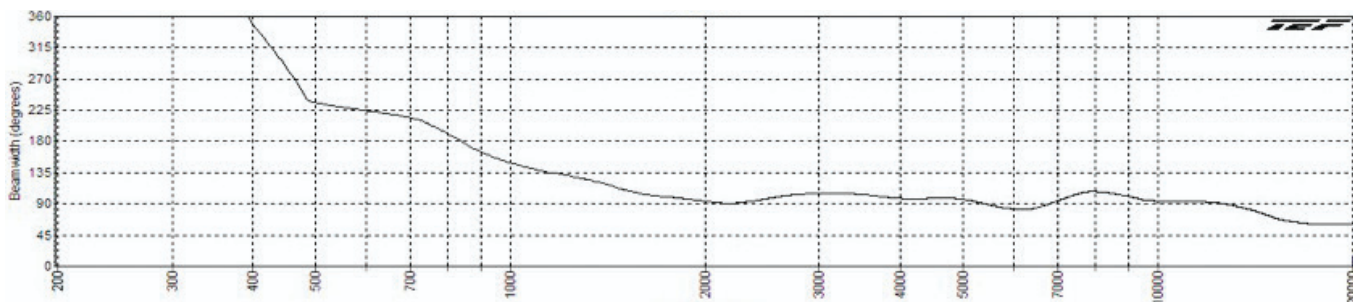
Either installation solution is discreetly implemented via the PM series innovative top cover design concealment cap. This "cap" includes a cable access plug that is easily removed for down pipe mounting. The cover also completely conceals the speaker cable terminations and the suspension anchor points.

Several packages are offered to suit various coverage pattern and installation scenarios. For low ceilings, AtlasIED offers a discrete enclosure system containing an ultra wide coverage 4" FA series driver. For higher ceiling applications, AtlasIED PM series answers the need for a variety of budget and performance requirements with three different 8" driver options, factory assembled into in a larger yet still attractive pedant style enclosure.

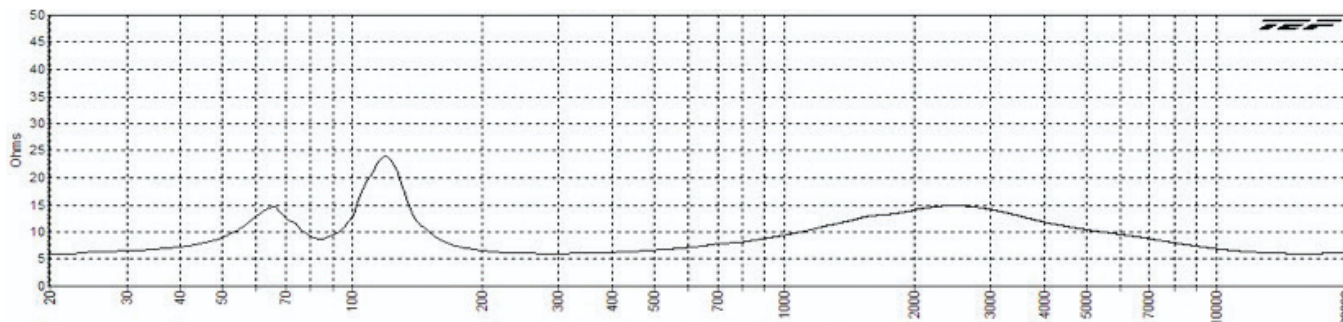
Available in black or white enclosure finish.

System	
Type	Pendant Mount Speaker System
Speaker	4" Full Range Coaxial, Qty 1
Frequency Response	70Hz - 20kHz (±5dB)
Dispersion Angle	130°
Transformer Taps - 70V	1W, 2W, 4W, 8W, & 16W
Input Sensitivity at 1W/1m	88dB Average
Power Rating	25 Watts @ 8Ω
Woofer	4" Poly Cone Butyl Rubber Surround
HF Driver	Coaxially Mounted PEI Dome Tweeter
Enclosure Volume	478 in ³ (7,833cm ³)
Mechanical	
Color	Black or White Finish
Mounting / Rigging Provisions	Pendent Type - Cable Included, Down Pipe Optional
Ingress Protection	IP-30
Logo	Removable
Woofer Magnet Weight	10oz (0.28kg)
Product Dimensions (HxD)	13.87" (352mm), Diameter 9.25" (235mm)
Shipping Dimensions (HxWxD)	15.5" x 11.5" x 11.5" (394mm x 292mm x 292mm)
Unit Weight - lbs	13lb (5.89kg)
Package Contents	
PM4FA	Qty 1
Cable Kit (3m)	Qty 1
Manual	Qty 1

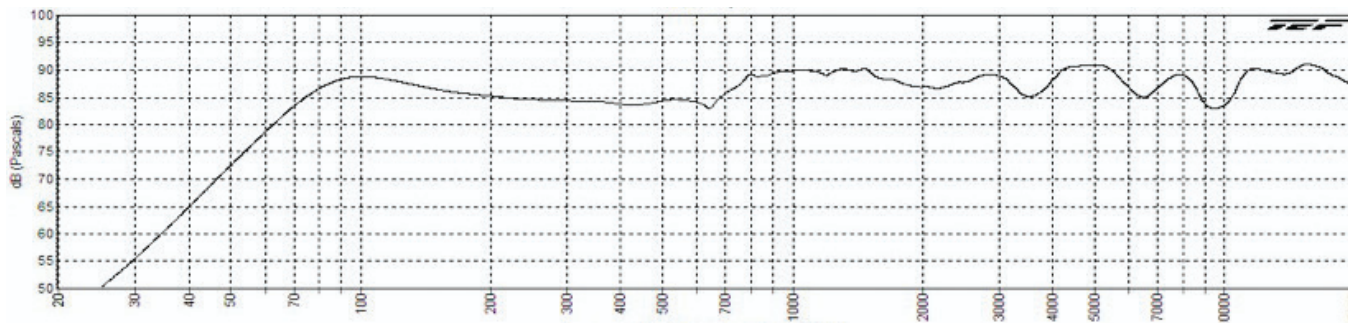
©2020 Atlas Sound L.P. The Atlas "Circle A", Soundolier, and Atlas Sound are trademarks of Atlas Sound L.P. IED is a Registered Trademark of Innovative Electronic Designs LLC. All rights reserved. All other Trademarks are property of their respective owners. No endorsement is implied. Due to continual product development, specifications are subject to change without notice. ATSO02841 RevB 4/20



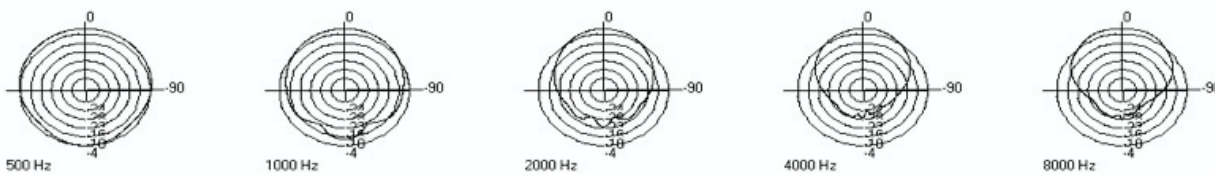
PM4FA Beamwidth



PM4FA Impedance

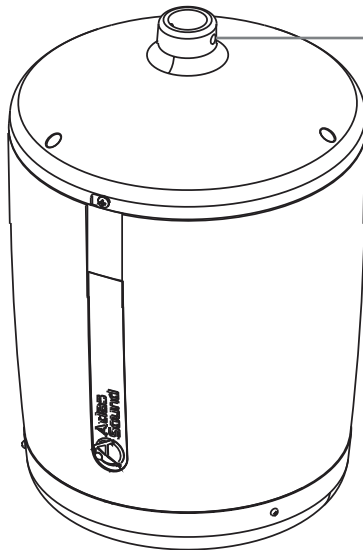
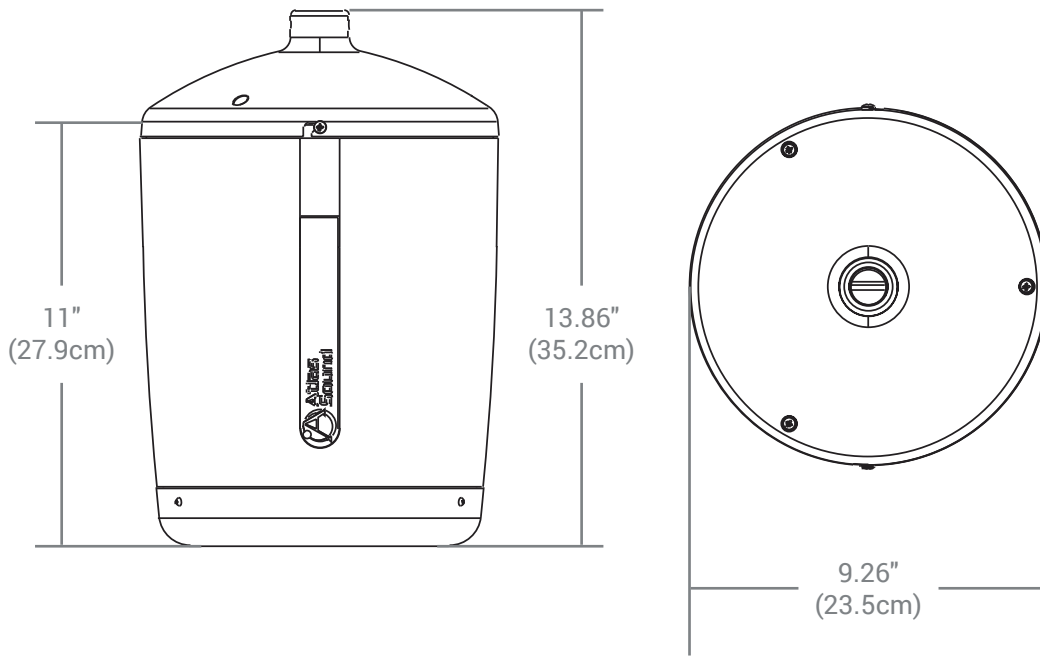


PM4FA Frequency Response



PM4FA Polar Charts

Dimensional Drawings



Architect and Engineer Specifications

The loudspeaker system shall include a high performance 4.0 inch coaxial loudspeaker in a ported bass reflex enclosure and press-fit aluminum grille for conventional ceiling installation via cable or down tube mounting system.

Frequency response for the system shall be 70Hz - 20kHz (± 5 dB). Sensitivity shall be 88dB average. Magnet shall be a minimum of 10 oz. (264 g) and the voice coil diameter shall be 1" (25 mm).

Transformer shall be (70.7V / 100V) volt type with 1, 2, 4, 8, & 16 Watts primary taps (@ 70.7V) and a transformer bypass position for 8 Ω direct coupled operation on an integrated 8 position terminal block.

The loudspeaker shall be the AtlasIED PM4FA (-W or-B).