

WayPoint5

Outdoor DC Power Supply/Charger



Altronix WayPoint5 DC Outdoor Power Supply/Charger provides 12VDC or 24VDC and is designed to be conveniently located where power is required. Lightweight molded fiber-glass reinforced polyester enclosure is NEMA 4/4X, IP66-11 Rated for outdoor use and accommodates up to two (2) 12VDC/7AH batteries. It features lockable stainless steel latches and integral flanges to simplify wall or pole mounting.



WayPoint5

Specifications

Input

Voltage 115VAC, 60Hz, 0.95A or
230VAC, 50Hz, 0.6A

Outputs

Voltage 12VDC or 24VDC selectable
Current 12VDC @ 4A continuous supply current or
24VDC @ 3.5A continuous supply current
Other Short circuit and thermal overload protection
Filtered and regulated

Battery Charging

Capacity 7AH/12VDC (1 or 2 within enclosure)
Up to 40AH/65AH
(Separate ventilated enclosure is required)
Type Sealed lead acid or gel type
Failover Upon AC loss, instantaneous
Batteries are sold separately

Indicators (LED)

Input Input voltage is present
DC Output Powered

Agency Listings

CE European Conformity

Physical and Environmental

Dimensions (H x W x D)

Enclosure:
13.31" x 11.31" x 5.59" (338.1mm x 287.3mm x 142mm)
Shipping:
20.25" x 12.5" x 7.25" (514.4mm x 317.5mm x 184.2mm)
NEMA 4/4X, IP66-11 Rated enclosure for outdoor use

Weight (approx.)

Product: 9.2 lb. (5.19 kg)
Shipping: 10.5 lb. (5.78 kg)

Temperature

Operating:
12VDC @ 4A: -40°C to 55°C (-40°C to 131°F)
24VDC @ 3.5A: -40°C to 45°C (-40°C to 113°F)
Storage: -40°C to 70°C (-40°C to 158°F)

Relative Humidity

85% +/- 5%

BTU/Hr. (approx.):

12VDC: 21 BTU/Hr.
24VDC: 42 BTU/Hr.

Accessories (order separately)



PMK1 - Pole Mount Kit

PMK2 pole mount kit is designed to simplify installation of outdoor units. It accommodates 2" - 8" (diameter) poles.



Lock1WP

LOCK1WP - Pad Lock for

Altronix Outdoor Enclosures

Altronix Lock1WP is a pad lock to secure the latches on Altronix outdoor enclosures. Includes a single pad lock and two (2) keys.



Vent2 - Air Vents For NEMA4/4X Rated Enclosures

Altronix Vent2 air vents ensure efficient air circulation and prevent water condensation in NEMA4/4X Rated Enclosures. Pair of air vents must be mounted per enclosure.



WG1

WG1 - NEMA Rated Wire Gland Inlet

Altronix WG1 facilitates wiring for all Altronix outdoor enclosures.

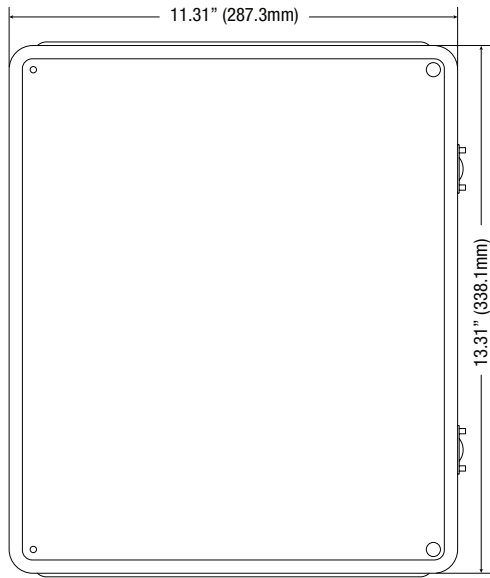
Lifetime Warranty

Dimensions and Drawing

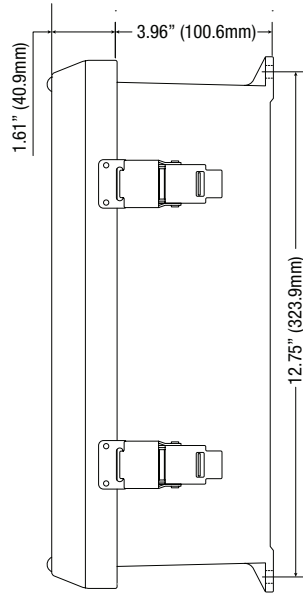
Dimensions (H x W x D approximate)

13.31" x 11.31" x 5.59" (338.1mm x 287.3mm x 142mm)

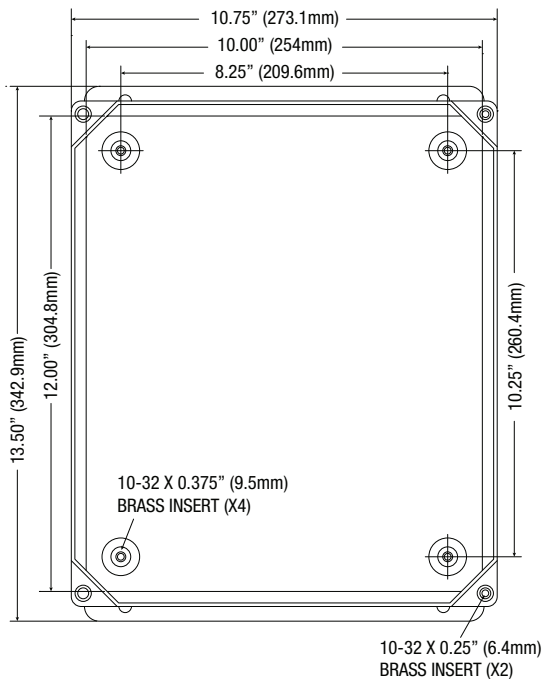
FRONT VIEW



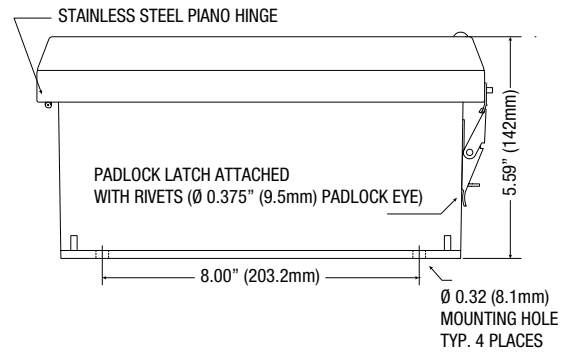
RIGHT SIDE VIEW



FRONT VIEW COVER REMOVED



END VIEW



Lifetime Warranty