

# TRIVE™

Access & Power Integration

## Trove2BWC

- Trove2 Compatible Battery/Wire Enclosure (Top or Bottom Mounting)

## Installation Guide



**More than just power.™**

All registered trademarks are property of their respective owners.

Rev. Trove2BWC110223

Installing Company: \_\_\_\_\_ Service Rep. Name: \_\_\_\_\_

Address: \_\_\_\_\_ Phone #: \_\_\_\_\_

## Overview:

Altronix Trove2BWC is a dual-purpose enclosure that can be used as wiring trough or battery cabinet when mounted above or below Trove 2 integrated power and access solution. The knockouts on the Trove2BWC have been strategically placed to line up with the Trove2 allowing for easy conduit connections between cabinets. Trove2BWC includes camlock and 2 tamper switches to ensure access to wiring and batteries is secure.

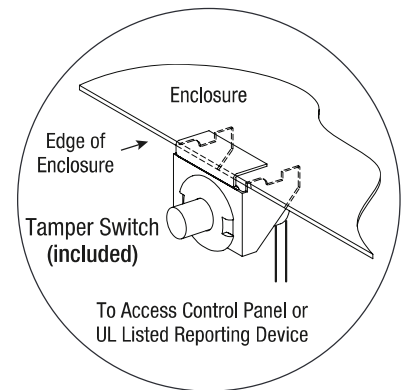
## Specifications:

- 16 Gauge enclosures with ample knockouts for convenient access.
- Cam lock, tamper switches and mounting hardware included.
- **Knockout Configuration:**
  - Three (3) single knockouts 2.415" (2" Conduit)
  - Eight (8) double knockouts  
1.362" (1" Conduit) / 1.115" (3/4" Conduit)
- **Capacity:**
  - Accommodates up to four (4) 12VDC/12AH batteries
- **Enclosure Dimensions (H x W x D):**  
21.5" x 7.62" x 6.25" (546.1mm x 193.5mm x 158.8mm).

## Installation Instructions for Trove2BWC:

1. Mark and predrill holes on the wall to line up with the top two keyholes in the enclosure. Install two upper fasteners and screws in the wall with the screw heads protruding. Place the enclosure's upper keyholes over the two upper screws; level and secure. Mark the position of the lower two holes. Remove the enclosure. Drill the lower holes and install the two fasteners. Place the enclosure's upper keyholes over the two upper screws. Install the two lower screws and make sure to tighten all screws.
2. Mount included UL Listed tamper switches (Altronix Model TS112 or equivalent) in desired location, opposite hinge. Slide the tamper switch bracket onto the edge of the enclosure approximately 2" from the right side (*Fig. 1, pg. 2*). Connect tamper switch wiring to the Access Control Panel input or the appropriate UL Listed reporting device. To activate alarm signal open the door of the enclosure.
3. Mount batteries and/or wires in the enclosure, refer to *page 3*.

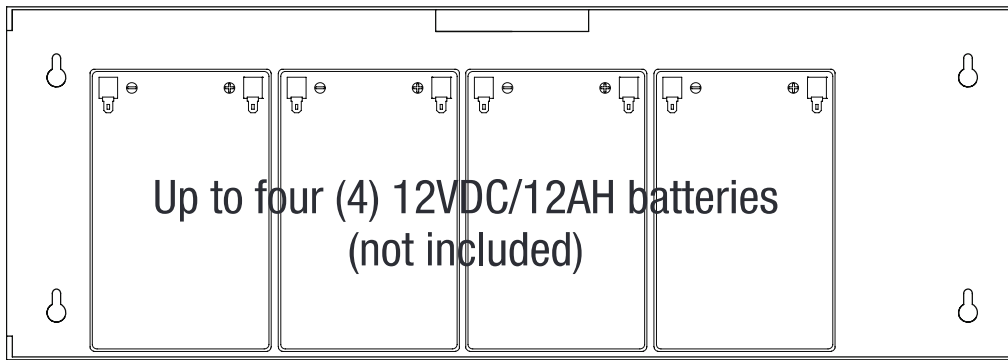
Fig. 1



## Trove2BWC Configuration of Batteries:

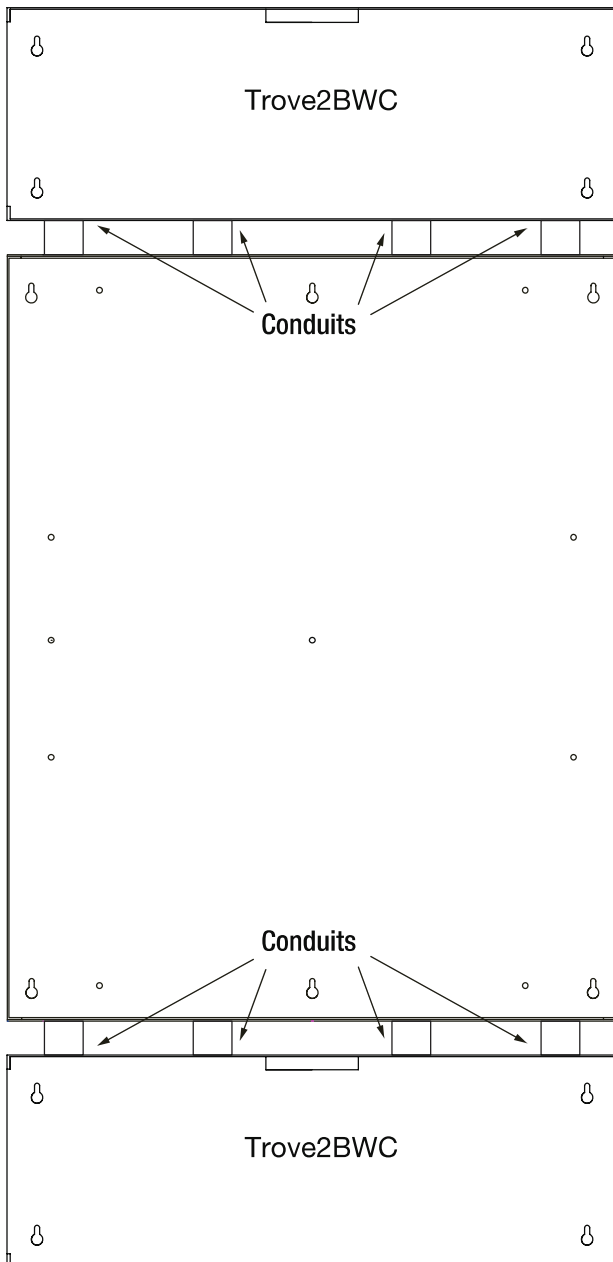
Trove2BWC accommodates up to four (4) 12VDC/18AH batteries

Fig. 2 - Trove2BWC

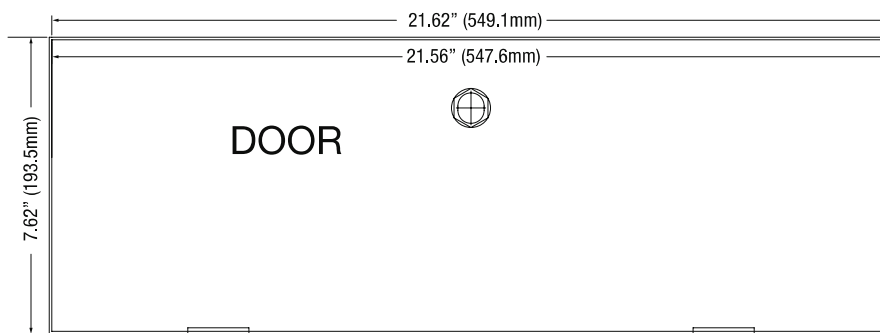
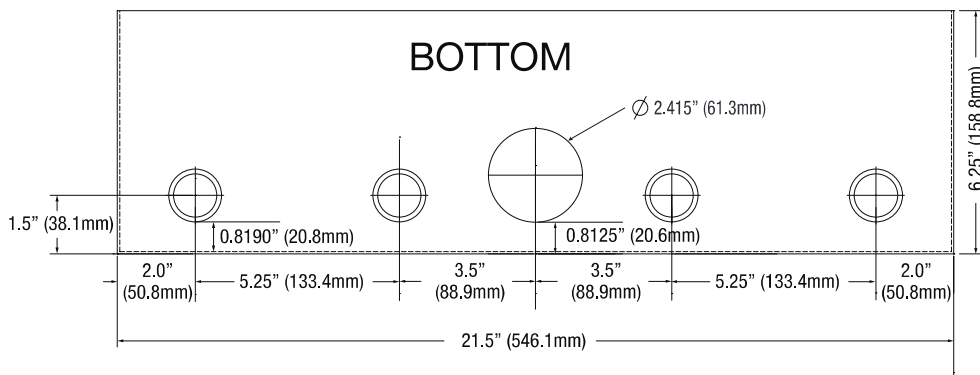
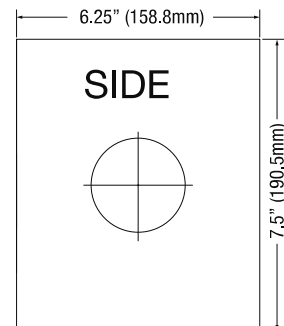
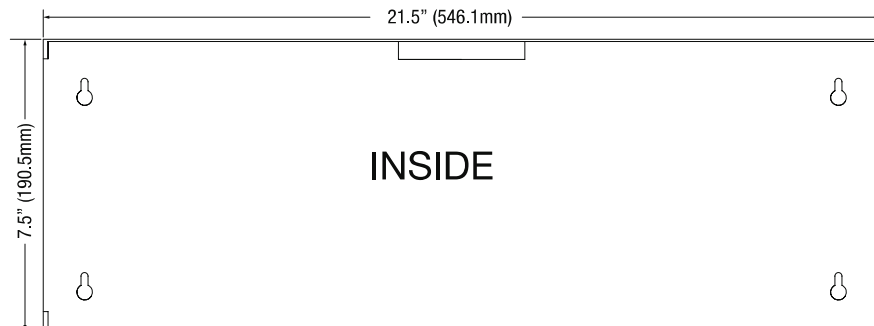
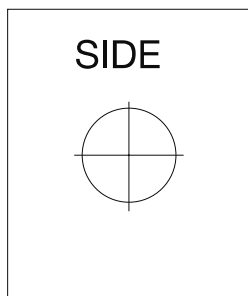
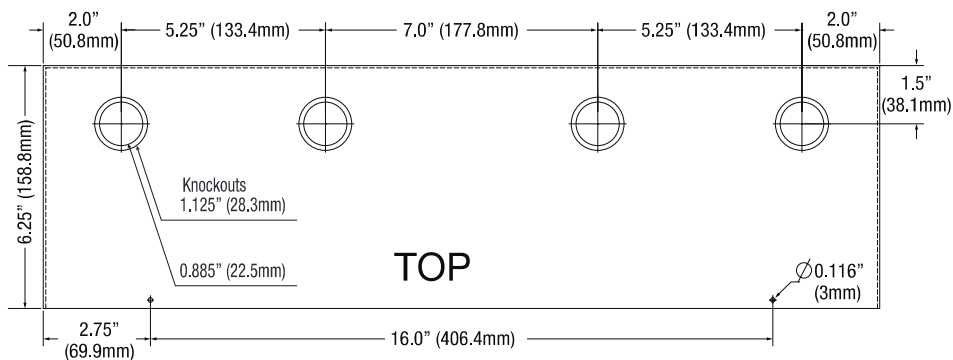


## Possible Ways of Utilizing Trove2BWC Adjacent to Trove2 Enclosure:

Fig. 3



**Trove2BWC Dimensions (H x W x D):**  
 21.5" x 7.62" x 6.25" (546.1mm x 193.5mm x 158.8mm)



Altronix is not responsible for any typographical errors. Product specifications are subject to change without notice.

140 58th Street, Brooklyn, New York 11220 USA | phone: 718-567-8181 | fax: 718-567-9056  
 website: www.altronix.com | e-mail: info@altronix.com  
 IITrove2BWC

K02W

