

NetWaySP8WP37

8-port Hardened PoE+ Switch with Integral Power



Altronix NetWaySP8WP37 supports up to 60W per port (360W total power) for deploying the latest high-powered IP devices in remote locations. It is equipped with two (2) 1Gb SFP ports to transmit data at long distances and eight (8) PoE+ (30W) or two (2) Hi-PoE (60W) Ethernet ports. NetWaySP8WP37 accommodates single/multi-mode fiber cable to deliver data from NetWay Spectrum head-end media converters/injectors. Embedded LINQ Technology allows to monitor, control, and report power and diagnostics from anywhere.



NetWaySP8WP37

For 115-230VAC input see model NetWaySP8WP3.

Key Features

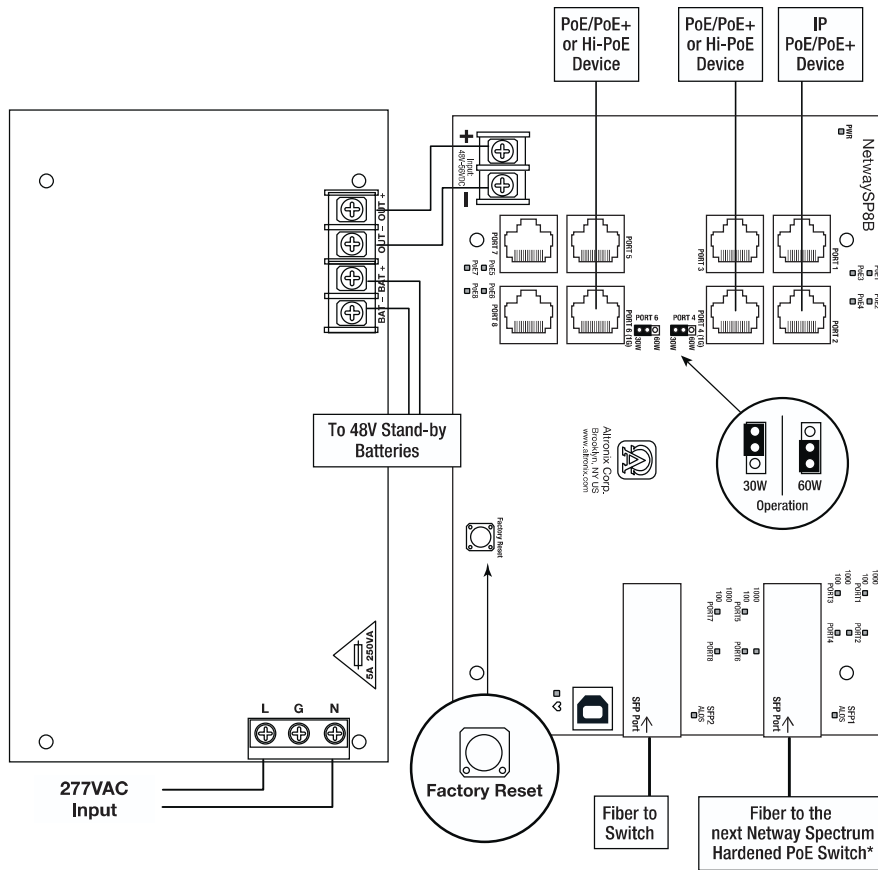
- Eight (8) PoE/PoE+ (up to 30W) ports or two (2) Hi-PoE (60W) ports (360W total power)
- IEEE 802.3af, 802.3at compliant or Hi-PoE (60W)
- Two (2) Gigabit SFP ports
- VLAN (Virtual Local Area Networks) subnetwork allows for the grouping together of devices for improved network traffic and higher security
- Built-in charger for sealed lead acid or gel type batteries
- CE European Conformity
- NEMA 4/4X, IP66-11 enclosure
- LINQ Technology:
 - Remote network management allows for camera/device reset and diagnostic monitoring
 - Provides local and/or remote access to critical information via LAN/WAN
 - Email and Windows Dashboard Alert notifications report real-time events
 - Event log tracks history

Similar products

NetWaySP8WPX3	Outdoor 8-port Hardened PoE+ Switch with Integral Power in NEMA 4/4X, IP66-11 enclosure which accommodates stand-by batteries
NetWaySP8PL3	8-port Hardened PoE+ Switch with Integral Power on a Backplane
NetWaySP8X3	8-port Hardened PoE+ Switch with Integral Power in NEMA 1 Rated indoor enclosure

Lifetime Warranty

Typical Application



Accessories (order separately)



SFP Modules - Hot Pluggable Transceivers

- P1MM Multi-Mode SFP Module for distances up to 550m
- P1SM10 Single-Mode SFP Module for distances up to 10km
- P1AB2K Single Strand SFP Module for distances up to 2km
- P1GCE Copper SFP Module for distances up to 100m



NetWaySP1A

Ethernet over Fiber Media Converter/Repeater for Applications Requiring an Additional SFP (Fiber) Port
 NetWaySP1A PoE powered media converter/repeater converts 10/100/1000 Mbps to Fiber (1000Base-X/SX/LX).



PMK1 - Pole Mount Kit

PMK1 pole mount kit is designed to simplify installation of outdoor units. It accommodates 2" - 8" (diameter) poles.

Lifetime Warranty



NetWaySP8WP37

8-port Hardened PoE+ Switch with Integral Power



Specifications

Input

Voltage 277VAC, 50/60Hz, 2A
Input Fuse 5A/250V

Power Output

Maximum Power Eight (8) PoE+ (30W) ports or two (2) Hi-PoE (60W) ports IEEE 802.3at (30W) and IEEE 802.3af (15W) compliant 360W total power. Integral surge protection

SFP Ports:

Two (2) Gigabit SFP ports

Ethernet Ports:

Six (6) 100 Mbps full duplex only (ports 1, 2, 3, 5, 7 and 8) and two (2) 10/100/1000 Mbps ports
Connectivity: RJ45, auto-crossover
Wire type: 4-pair CAT5e or higher structured cable
Speed: 10/100/1000 Mbps half/full duplex, auto negotiation

Battery Charging

Type 48VDC charging circuit charges sealed lead acid or gel type batteries (require separate ventilated enclosure)

Failover

Upon AC loss, instantaneous

Batteries are sold separately. Separate ventilated enclosure is required

Indicators (LED)

Individual PoE On LEDs for each port
Individual IP Link status, 10/100/1000 Base-T/active LEDs for each port
ALOS LED indicates fiber connection for SFP port
Heartbeat LED indicates proper operation of the unit

VLAN:

Multiple management VLAN assignment
802.1Q Tagged VLAN
Up to 10 VLAN groups. ID Range 2-4095

LINQ Technology:

Remote network management allows for camera/device reset and diagnostic monitoring
Provides local and/or remote access to critical information via LAN/WAN
Email and Windows Dashboard Alert notifications report real-time events
Event log tracks history

Agency Listings

CE European Conformity

Physical and Environmental

Dimensions (H x W x D)

Enclosure: 13.31" x 11.31" x 5.59"
(338.1mm x 287.3mm x 142mm)
Shipping: 20.25" x 12.5" x 7.25"
(514.4mm x 317.5mm x 184.2mm)

NEMA 4/4X, IP66-11 Rated enclosure for outdoor use

Weight (approx.)

Product: 10.5 lb. (4.76 kg)
Shipping: 11.9 lb. (5.4 kg)

Temperature

360W: -30°C to 70°C (-22°F to 158°F)
240W: -30°C to 75°C (-22°F to 167°F)
Storage: -30°C to 85°C (-22°F to 185°F)

Relative Humidity

85% +/- 5%

BTU/Hr. (approx.):

183 BTU/Hr.

Operating Altitude:

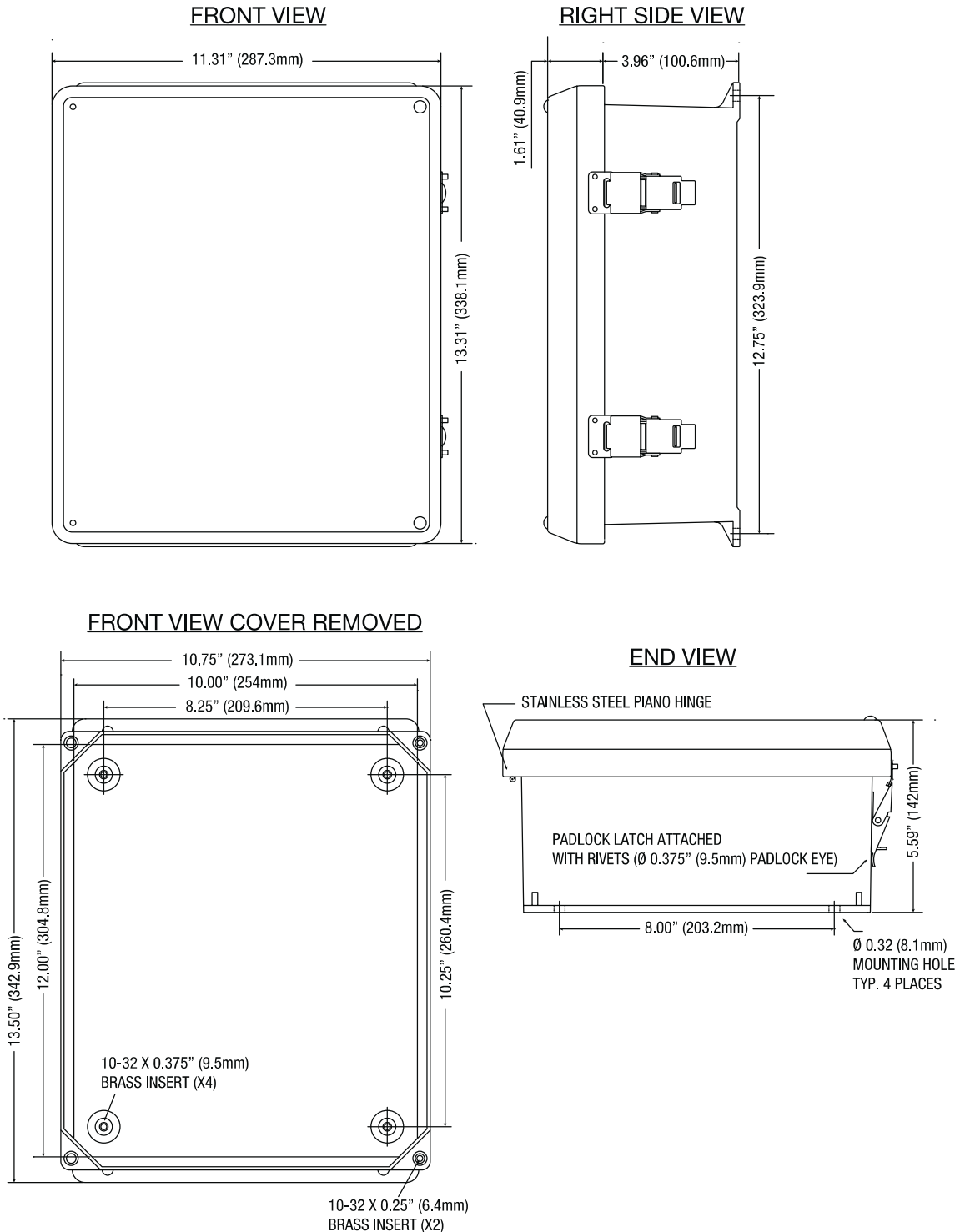
-304.8 to 2,000m

Lifetime Warranty

Dimensions and Drawing

Dimensions (H x W x D approximate)

13.3" x 11.3" x 5.59" (338.1mm x 287.3mm x 142mm)



Lifetime Warranty