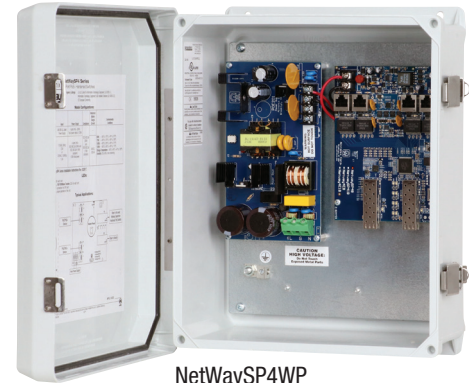


NetWaySP4WP

4-port Outdoor Hardened PoE Switch with Integral Power



Altronix NetWaySP4WP Outdoor PoE+ Hardened Switch provides two (2) 1Gb SFP (Fiber) ports and four (4) PoE+ (30W) ports, passing data for PoE/PoE+ compliant devices. Cameras/ edge devices may be located up to 100m from the unit. Embedded LINQ Technology allows you to monitor, control, and report power and diagnostics from anywhere.



NetWaySP4WP

Key Features

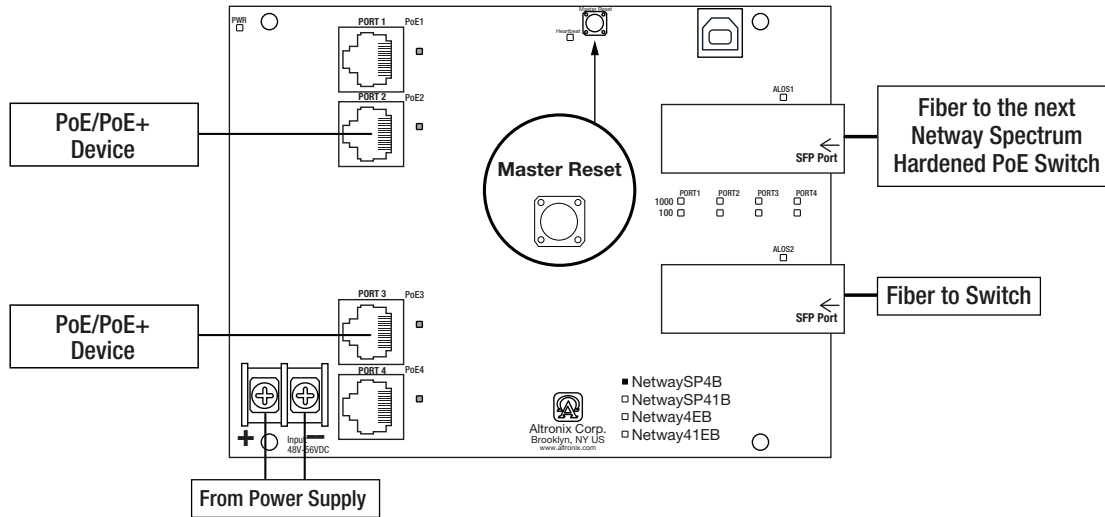
- Two (2) Gigabit SFP ports
- Four (4) 10/100/1000 Mbps ports
- 120W total power:
 - Four (4) PoE/PoE+ (up to 30W) ports
- IEEE 802.3at (30W), IEEE 802.3af (15W) compliant
- PoE activity LED indicators
- Automatic switch over to stand-by battery when AC fails
- VLAN (Virtual Local Area Networks) subnetwork allows for the grouping together of devices for improved network traffic and higher security
- NEMA 4/4X, IP66-11 Rated enclosure for outdoor use
- UL Listed in the U.S. and Canada
- CE European Conformity
- Lifetime Warranty

Similar products

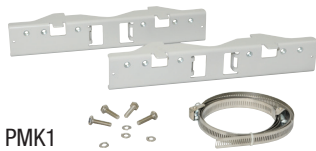
NetWaySP4WPX	Outdoor 4-port PoE+ Hardened Switch in NEMA 4/4X, IP66-11 enclosure which accommodates stand-by batteries
NetWaySP4WPN	Outdoor 4-port PoE+ Hardened Switch only in NEMA 4/4X, IP66-11 enclosure
NetWaySP4X	Indoor 4-port PoE+ Hardened Switch in NEMA 1 Rated indoor enclosure
NetWaySP4PL	4-port PoE+ Hardened Switch with Integral Power on a Backplane
NetWaySP4B	4-port PoE+ Hardened Switch (board only)

Lifetime Warranty

Typical Application



Accessories (order separately)



PMK1

PMK1 - Pole Mount Kit

PMK1 pole mount kit is designed to simplify installation of outdoor units. It accommodates 2" - 8" (diameter) poles.



SFP Modules - Hot Pluggable Transceivers

- P1MM Multi-Mode SFP Module for distances up to 550m
- P1SM10 Single-Mode SFP Module for distances up to 10km
- P1AB2K Single Strand SFP Module for distances up to 2km
- P1GCE Copper SFP Module for distances up to 100m

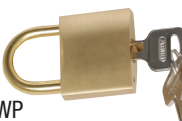


NetWaySP1A

NetWaySP1A

Ethernet over Fiber Media Converter/Repeater for Applications Requiring an Additional SFP Port

NetWaySP1A PoE powered media converter/repeater converts 10/100/1000 Mbps to Fiber (1000Base-X/SX/LX).



Lock1WP

LOCK1WP - Pad Lock for Altronix Outdoor Enclosures

Altronix Lock1WP is a pad lock to secure the latches on Altronix outdoor enclosures. Includes a single pad lock and two (2) keys.



WG1

WG1 - NEMA Rated Wire Gland Inlet

Altronix WG1 facilitates wiring for all Altronix outdoor enclosures.

Lifetime Warranty



NetWaySP4WP

4-port Outdoor Hardened PoE Switch with Integral Power



Specifications

Input

Voltage	115VAC, 60Hz, 2.5A or 230VAC, 50/60Hz, 1.3A
Input Fuse	5A/250V

Power Output

Maximum Power	Four (4) PoE+ (30W) ports IEEE 802.3at (30W) and IEEE 802.3af (15W) compliant 120W total power Integral surge protection
---------------	--

Fiber Ports: Two (2) Gigabit SFP ports

Ethernet Ports: Four (4) 10/100/1000 Mbps ports
Connectivity: RJ45, auto-crossover
Wire type: 4-pair CAT5 or
better structured cable
Distance: up to 100m.
Speed: 10/100/1000 Mbps,
half/full duplex, auto negotiation

Battery Charging

Type	Sealed lead acid or gel type
Failover	Upon AC loss, instantaneous

Batteries are sold separately. Separate ventilated enclosure is required

Indicators (LED)

Individual PoE On LEDs for each port
Individual IP Link status, 10/100Base-T/active LEDs for each port
ALOS LED indicates fiber connection for SFP port
Heartbeat LED indicates proper operation of the unit

VLAN:

Multiple management VLAN assignment.
802.1Q Tagged VLAN. Up to 10 VLAN groups. ID Range 2-4095

LINQ Technology:

Remote network management allows for camera/device reset and monitoring
Provides local and/or remote access to critical information via LAN/WAN
Email and Windows Dashboard Alert notifications report real-time diagnostics
Event log tracks history

Agency Listings

UL/cUL	UL60950-1 (Information Technology Equipment) UL60950-22 (Information Technology Equipment to be installed Outdoors)
CE	European Conformity

Physical and Environmental

Dimensions (H x W x D)

Enclosure:	13.31" x 11.31" x 5.59" (338.1mm x 287.3mm x 142mm)
Shipping:	20.25" x 12.5" x 7.25" (514.4mm x 317.5mm x 184.2mm)

NEMA 4/4X, IP66-11 Rated enclosure for outdoor use

Weight (approx.)

Product:	10.5 lb. (4.76 kg)
Shipping:	11.9 lb. (5.4 kg)

Temperature

Operating:	
60W:	- 40°C to 75°C (- 40°F to 167°F)
75W:	- 40°C to 70°C (- 40°F to 158°F)
100W:	- 40°C to 55°C (- 40°F to 131°F)
120W:	- 40°C to 45°C (- 40°F to 113°F)
Storage:	- 40°C to 85°C (- 40°F to 185°F)

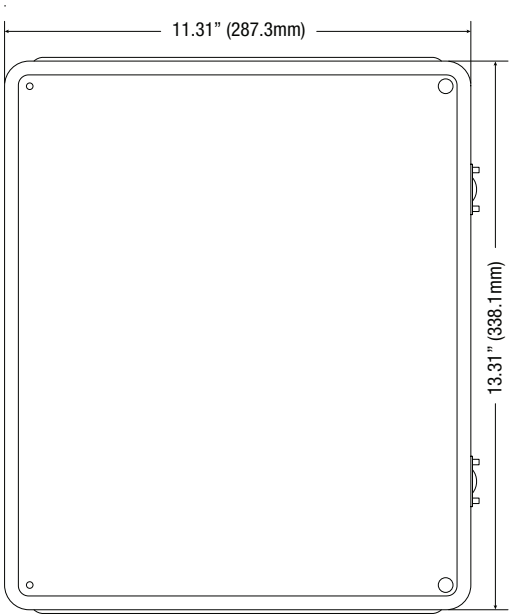
Relative Humidity	85% +/- 5%
BTU/Hr (approx.)	61 BTU/Hr.
Operating Altitude:	- 304.8 to 2,000m

Lifetime Warranty

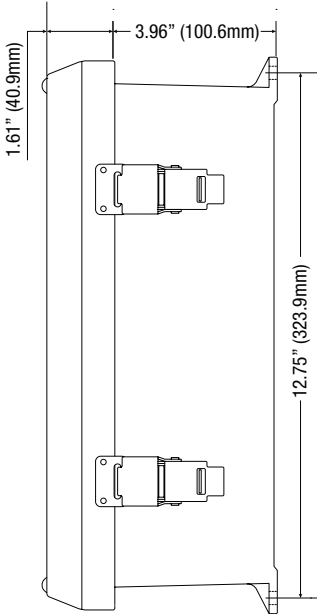
Dimensions and Drawing

Dimensions (H x W x D approximate)
 13.3" x 11.3" x 5.59" (338.1mm x 287.3mm x 142mm)

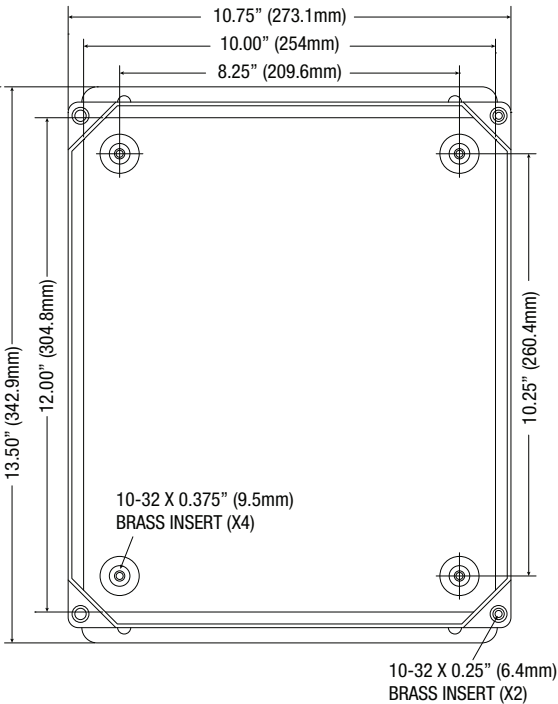
FRONT VIEW



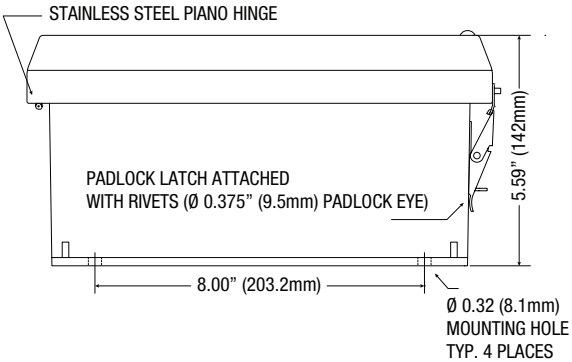
RIGHT SIDE VIEW



FRONT VIEW COVER REMOVED



END VIEW



Lifetime Warranty