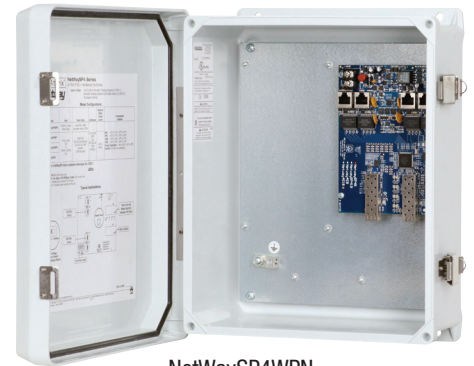


# NetWaySP4WPN

## 4-port Outdoor Hardened PoE Switch



Altronix NetWaySP4WPN Outdoor PoE+ Hardened Switch provides two (2) 1Gb SFP (Fiber) ports and four (4) PoE+ (30W) ports, passing data for PoE/PoE+ compliant devices. Cameras/ edge devices may be located up to 100m from the unit. Embedded LINQ Technology allows you to monitor, control, and report power and diagnostics from anywhere.



NetWaySP4WPN

### Key Features

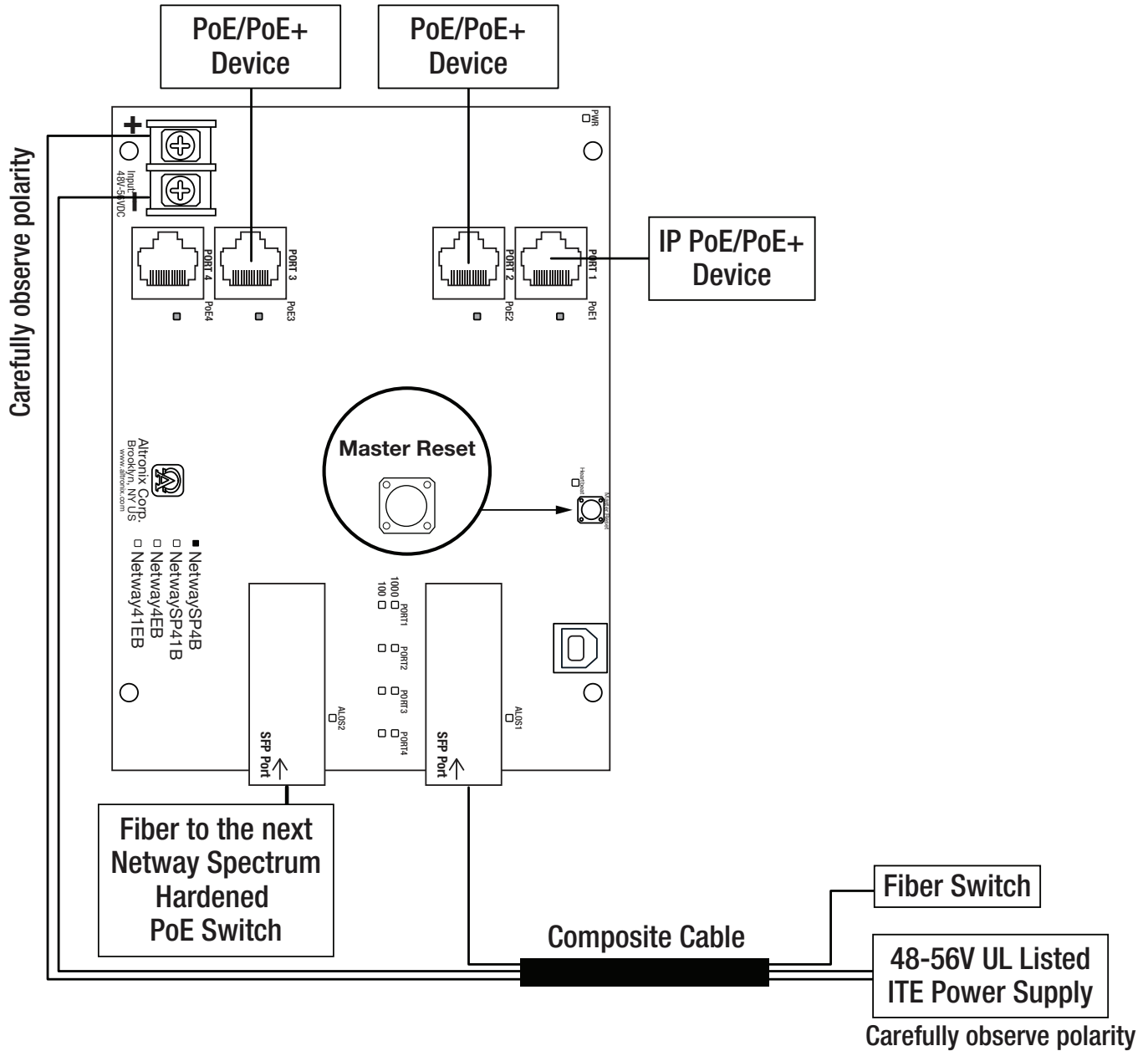
- Two (2) Gigabit SFP ports
- 120W total power:
  - Four (4) PoE/PoE+ (up to 30W) ports
- Four (4) 10/100/1000 Mbps ports
- IEEE 802.3at (30W), IEEE 802.3af (15W) compliant
- PoE activity LED indicators
- VLAN (Virtual Local Area Networks) subnetwork allows for the grouping together of devices for improved network traffic and higher security
- UL Listed in the U.S. and Canada
- CE European Conformity
- Lifetime Warranty

### Similar products

<b>NetWaySP4WPX</b>	Outdoor 4-port PoE+ Hardened Switch in NEMA 4/4X, IP66-11 enclosure which accommodates stand-by batteries
<b>NetWaySP4WP</b>	Outdoor 4-port PoE+ Hardened Switch in NEMA 4/4X, IP66-11 enclosure
<b>NetWaySP4X</b>	Indoor 4-port PoE+ Hardened Switch in NEMA 1 Rated indoor enclosure
<b>NetWaySP4PL</b>	4-port PoE+ Hardened Switch with Integral Power on a Backplane
<b>NetWaySP4B</b>	4-port PoE+ Hardened Switch (board only)

### Lifetime Warranty

### Typical Composite (Fiber + Copper) Application



#### Lifetime Warranty

Altronix Corporation | 140 58th St | Brooklyn, NY 11220 USA

phone: +1 718.567.8181 | fax: +1 718.567.9056 | email: info@altronix.com | www.altronix.com



# NetWaySP4WPN

4-port Outdoor Hardened PoE Switch



## Specifications

### Input

Voltage 48-56V UL Listed ITE power supply (up to 120W)

### Power Output

Maximum Power Four (4) PoE+ (30W) ports  
IEEE 802.3at (30W) and IEEE 802.3af (15W) compliant  
120W total power  
Integral surge protection

**Fiber Ports:** Two (2) Gigabit SFP ports

**Ethernet Ports:** Four (4) 10/100/1000 Mbps ports  
Connectivity: RJ45, auto-crossover  
Wire type: 4-pair CAT5 or better structured cable  
Distance: up to 100m.  
Speed: 10/100/1000 Mbps, half/full duplex, auto negotiation

### Indicators (LED)

Individual PoE On LEDs for each port  
Individual IP Link status, 10/100Base-T/active LEDs for each port  
ALOS LED indicates fiber connection for SFP port  
Heartbeat LED indicates proper operation of the unit

### VLAN:

Multiple management VLAN assignment  
802.1Q Tagged VLAN. Up to 10 VLAN groups  
ID Range 2-4095

### LINQ Technology:

Remote network management allows for camera/device reset and monitoring  
Provides local and/or remote access to critical information via LAN/WAN  
Email and Windows Dashboard Alert notifications report real-time diagnostics.  
Event log tracks history

### Agency Listings

UL/cUL UL60950-1  
(Information Technology Equipment)  
UL60950-22  
(Information Technology Equipment to be installed Outdoors)  
CE European Conformity

### Physical and Environmental

#### Dimensions (H x W x D)

Enclosure: 13.31" x 11.31" x 5.59"  
(338.1mm x 287.3mm x 142mm)  
Shipping: 20.25" x 12.5" x 7.25"  
(514.4mm x 317.5mm x 184.2mm)  
NEMA 4/4X, IP66-11 Rated enclosure for outdoor use

#### Weight (approx.)

Product: 9.5 lb. (4.3 kg)  
Shipping: 10.9 lb. (4.9 kg)

#### Temperature

Operating (120W): - 40°C to 75°C (- 40°F to 167°F)  
Storage: - 40°C to 85°C (- 40°F to 185°F)

Relative Humidity 85% +/- 5%

Operating Altitude: - 304.8 to 2,000m

### Lifetime Warranty

Altronix Corporation | 140 58th St | Brooklyn, NY 11220 USA

phone: +1 718.567.8181 | fax: +1 718.567.9056 | email: info@altronix.com | www.altronix.com

### Power Sourcing Equipment and Accessories (order separately)



- 4-port Ethernet over Fiber Media Converters for Applications Utilizing Composite or Conventional Cabling**
- NetWaySP4** Unit passes a maximum power up to 120W per port (240W total power) from a Power Supply or Midspan Injector. Four (4) 1Gb SFP ports.
- NetWaySP4P** Unit provides a maximum power up to 120W per port (240W total power) from a built-in Power Supply/ Charger. Four (4) 1Gb SFP ports.
- NetWaySP4P2** Unit provides 56VDC power-limited 60W max. per port (240W total power) from a built-in Power Supply/Charger. Four (4) 1Gb SFP ports.



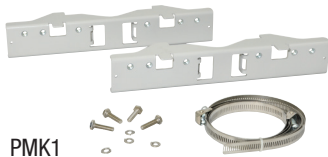
- SFP Modules - Hot Pluggable Transceivers**
- P1MM** Multi-Mode SFP Module for distances up to 550m
- P1SM10** Single-Mode SFP Module for distances up to 10km
- P1AB2K** Single Strand SFP Module for distances up to 2km
- P1GCE** Copper SFP Module for distances up to 100m



- NetWaySP1A**
- Ethernet over Fiber Media Converter/Repeater for Applications Requiring an Additional SFP (Fiber) Port**
- NetWaySP1A PoE powered media converter/repeater converts 10/100/1000 Mbps to Fiber (1000Base-X/SX/LX).

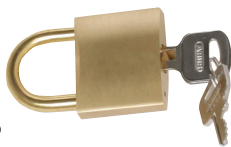


- PoE Power Supplies**
- POE60 - 75W Power Supply/Lithium Iron Phosphate Charger**  
Provides 75W for NetWay Spectrum switches.  
It also features a built-in charger for Lithium Iron Phosphate batteries.
- POE201 - 120W Power Supply/Charger**  
Provides 120W for NetWay Spectrum switches.  
It also features a built-in charger for sealed lead acid or gel type batteries.



- PMK1 - Pole Mount Kit**
- PMK1 pole mount kit is designed to simplify installation of outdoor units. It accommodates 2" - 8" (diameter) poles.

PMK1



- LOCK1WP - Pad Lock for Altronix Outdoor Enclosures**
- Altronix Lock1WP is a pad lock to secure the latches on Altronix outdoor enclosures. Includes a single pad lock and two (2) keys.

Lock1WP



- WG1 - NEMA Rated Wire Gland Inlet**
- Altronix WG1 facilitates wiring for all Altronix outdoor enclosures.

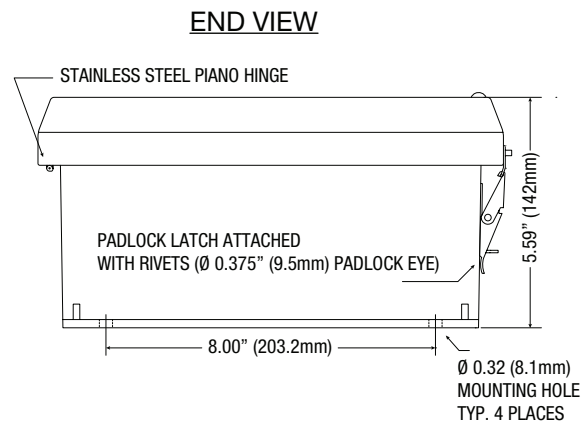
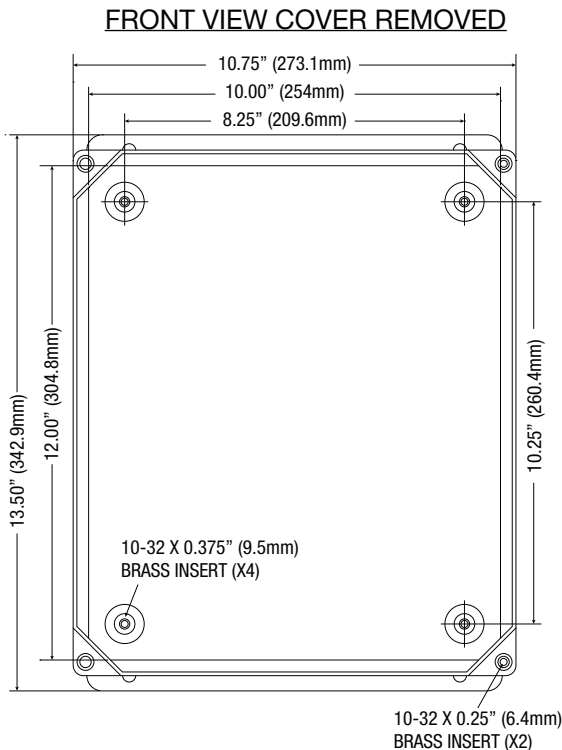
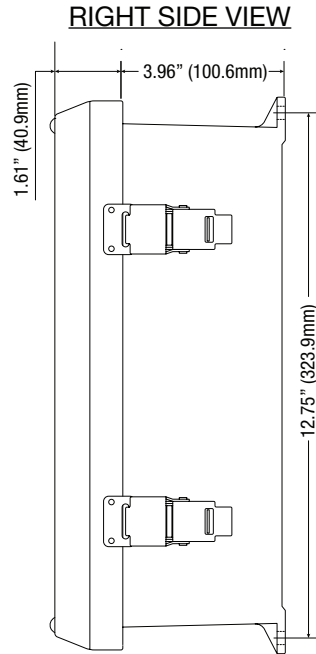
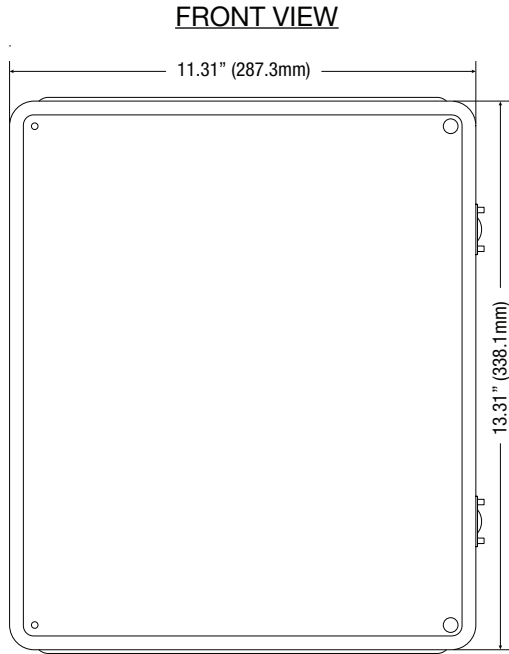
WG1

### Lifetime Warranty

### Dimensions and Drawing

Dimensions (H x W x D approximate)

13.3" x 11.3" x 5.59" (338.1mm x 287.3mm x 142mm)



### Lifetime Warranty